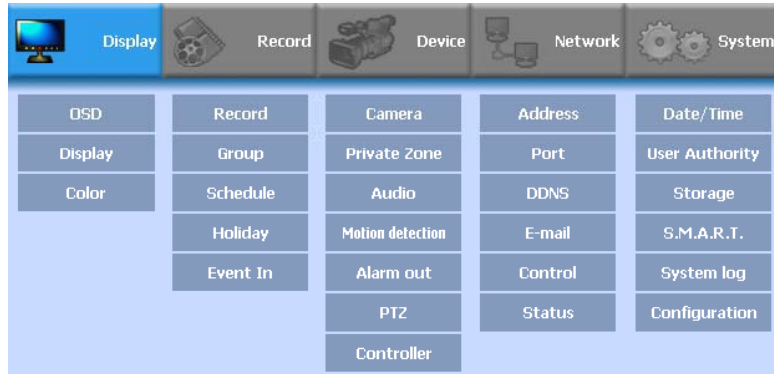


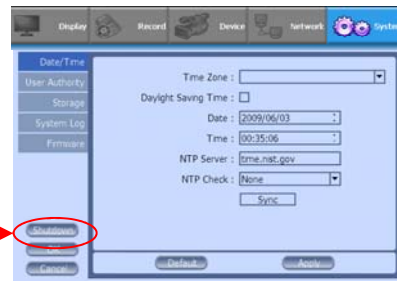
## SETUP MODE

To enter the setup mode, click the right button of mouse and choose 'Setup' or push the 'MENU' button on the remote controller.



## SHUTDOWN

To avoid the hard drive crash, we recommend to shutdown before turning it off. Go to MENU -> SYSTEM . Push the 'Shutdown' button.



To obtain the best performance and ensure years of trouble free use, please read completely the user's manual in the CD.



# Digital Video Recorder

## Quick Manual

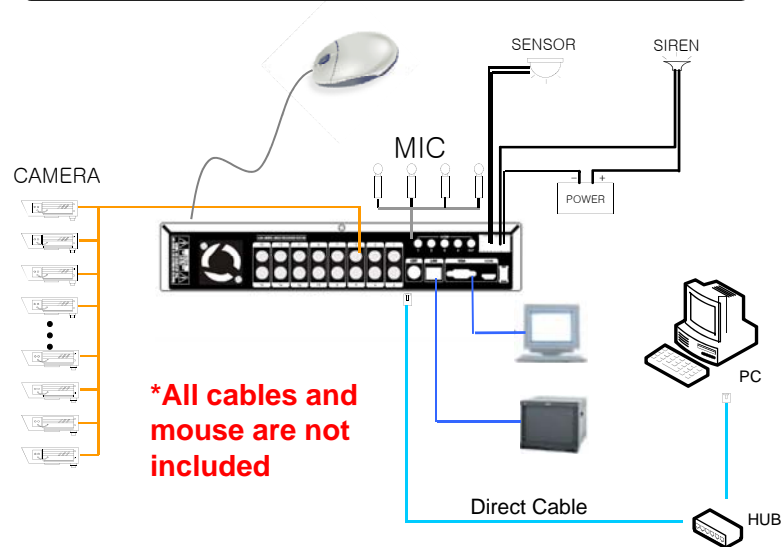
4CH/8CH/16CH

## BEFORE YOU START

Users should read this manual carefully for proper use. Contents in this manual may be changed according to the specification change and feature improvement without any notification. This manual shall never be copied without prior agreement and violating this may be a reason for legal punishment on piracy. If there is any incorrect or insufficient content in this manual, notify it to Customer Support Center. Please check that all the following accessories are included.

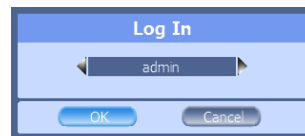
- 1 Adapter & Power cable
- 1 Program & Manual CD
- 1 Remote controller & 2 battery

## CONNECTION



## GETTING STARTED

Connect all cables before plugging to the power. When the DVR is first powered up, please wait for booting. After booting, the unit enters to the log in window, and ask a password. The default password is nothing.

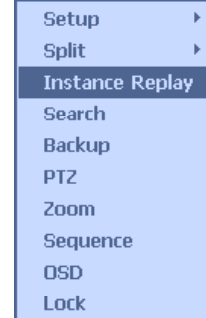


## LIVE SCREEN

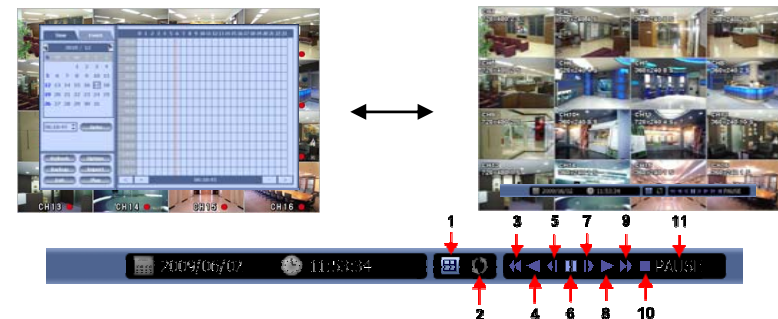


	Date
	Time
	Screen Split mode change
	Sequence activation
	Hard drive usage
	Lock/ Unlock indicator
	Scheduler activation indicator
	Audio out channel indicator
	Mute indicator

By Right-Clicking anywhere on Live Screen, you may view the Live Popup Menu. By using the Live Popup Menu, you can quickly jump to the necessary configuration and settings.



## SEARCH MODE



1. Split Screen
2. Sequence
3. FB (Fast Backward): FB×2, 4, 8, 16, 32, 64 times faster
4. Playback : Backward normal speed
5. SB (Slow Backward):SBx1/2, SBx1/4
6. STILL (Pause) / Frame advance
7. SF (Slow Forward):SFx1/2, SFx1/4
8. Play : Forward normal speed
9. FF (Fast Forward): FF×2, 4, 8, 16, 32, 64 times faster
10. STOP : Stops playing and returns to LIVE Screen.
11. Status information