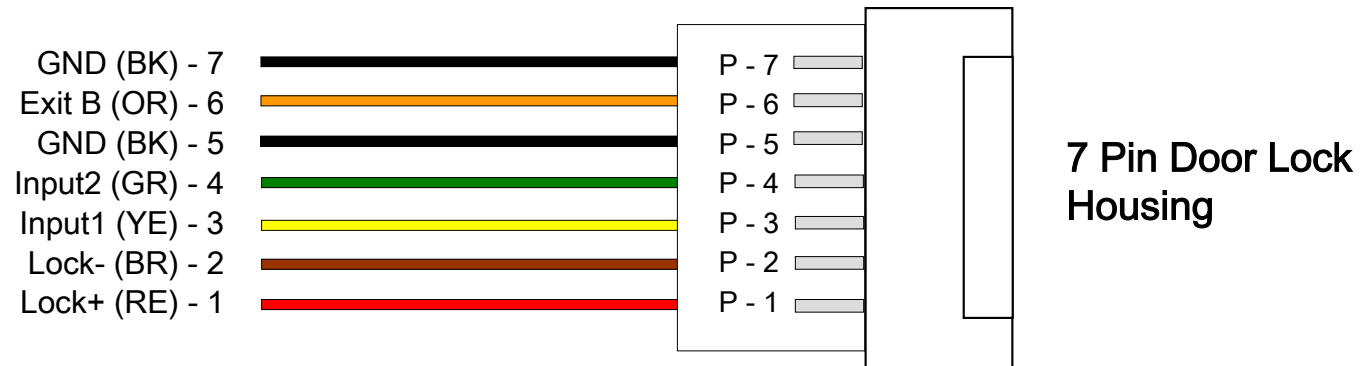
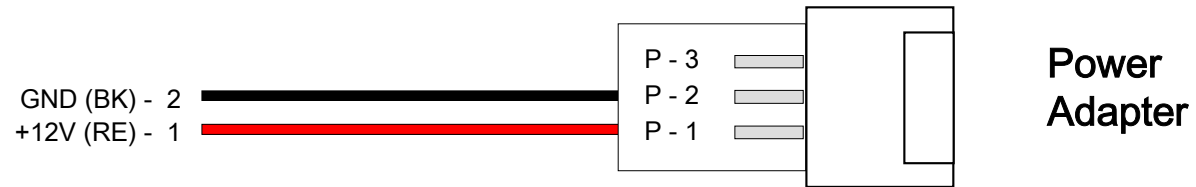


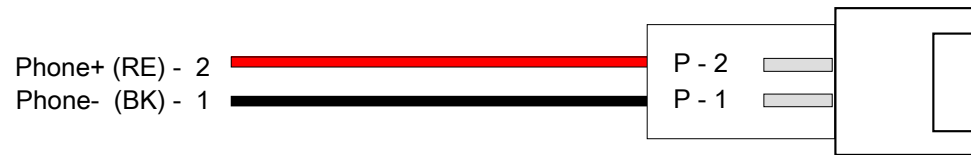
Installation For VIRDI-4000 Fingerprint Identification System



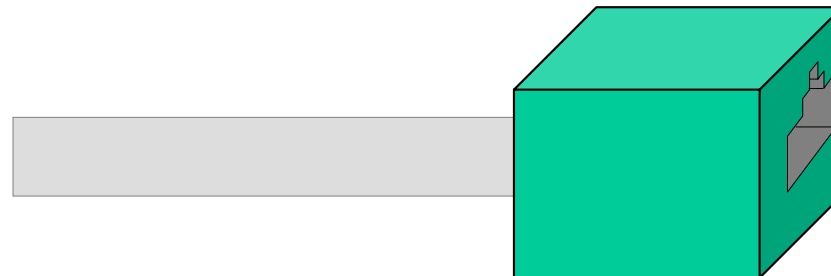
1. External Connectors



1. External Connectors

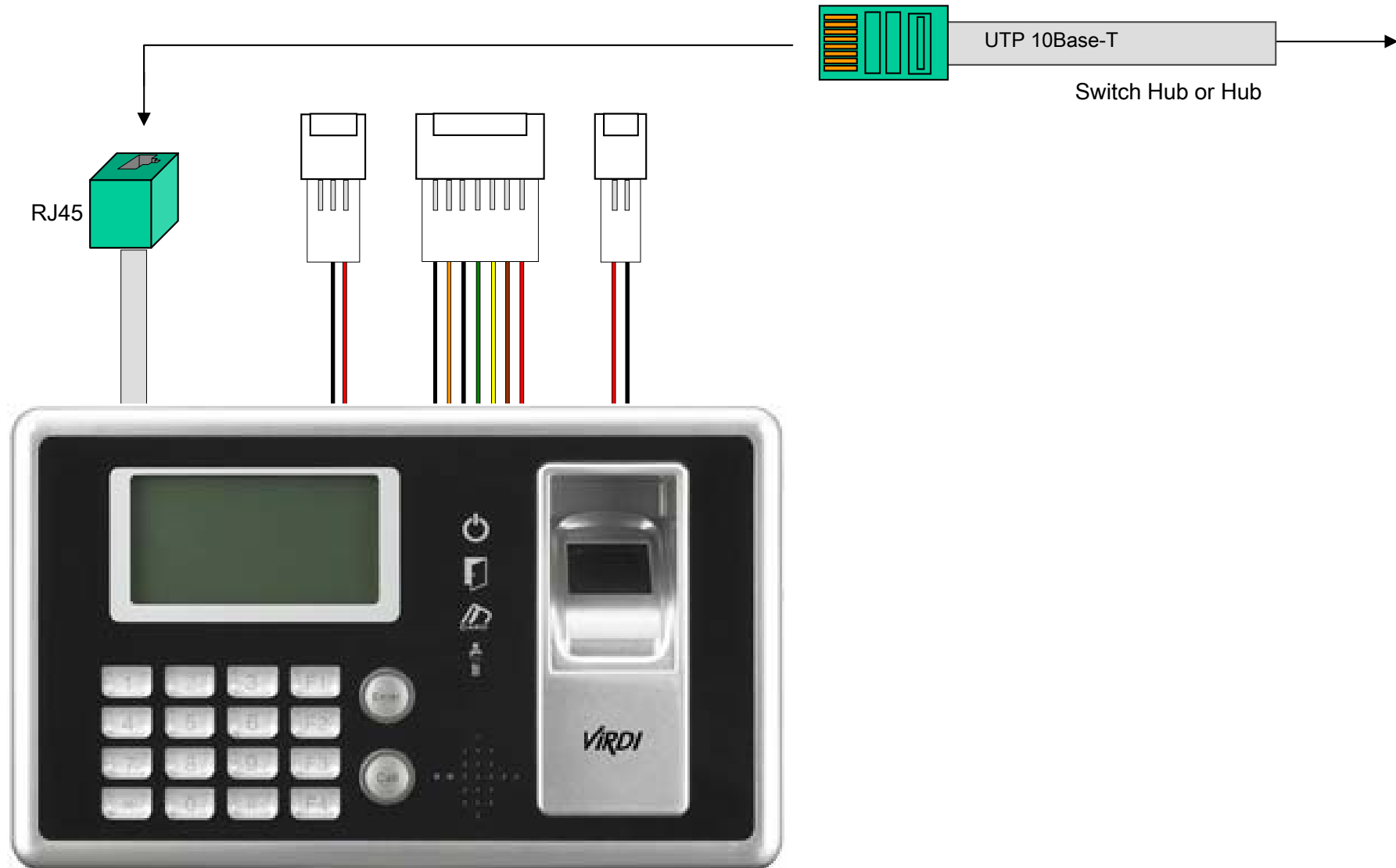


**Door Phone
Housing**

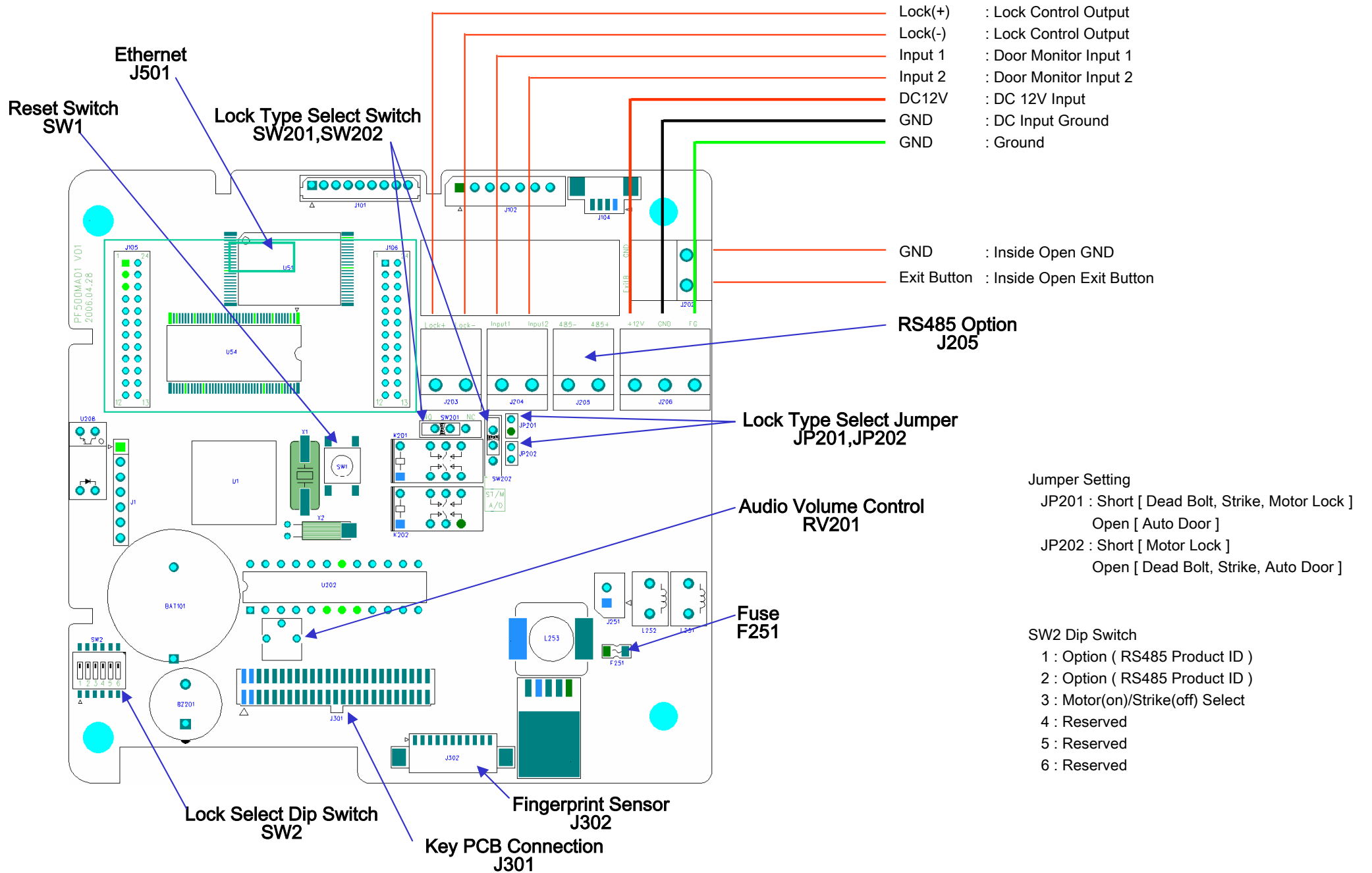


**Network
Interface
(RJ45)**

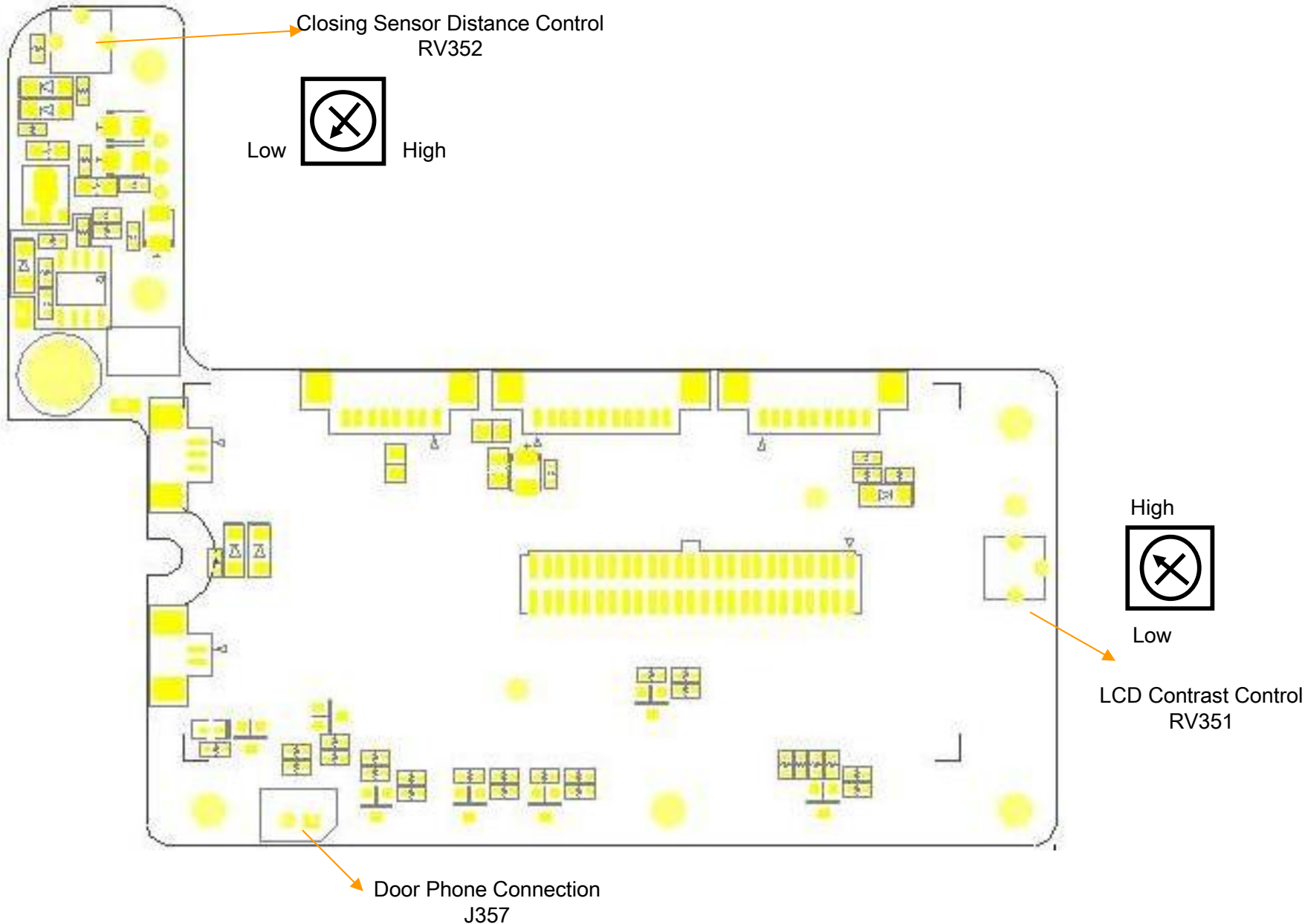
2. Connecting Ethernet (LAN) Cable



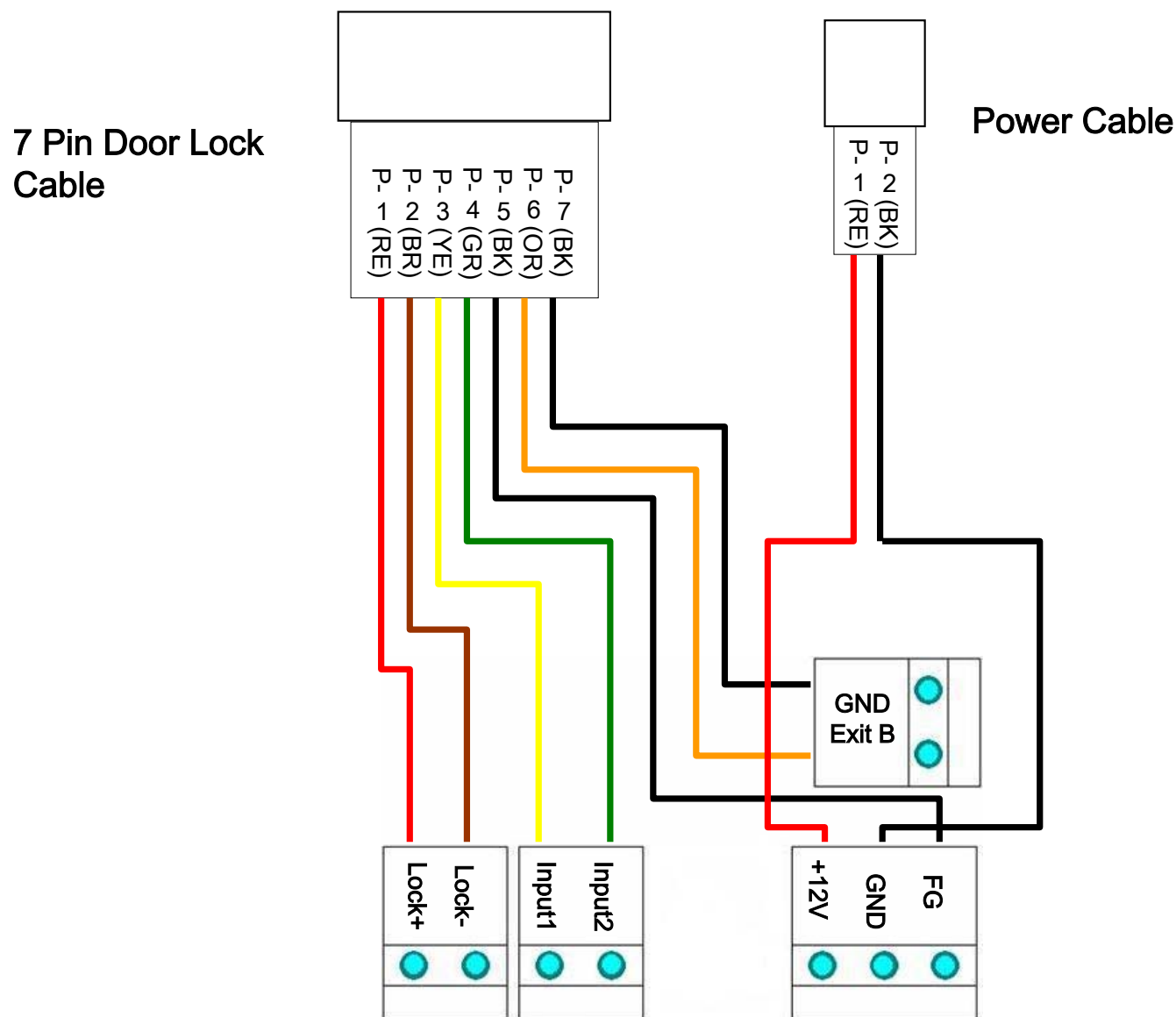
3. Main Board Feature



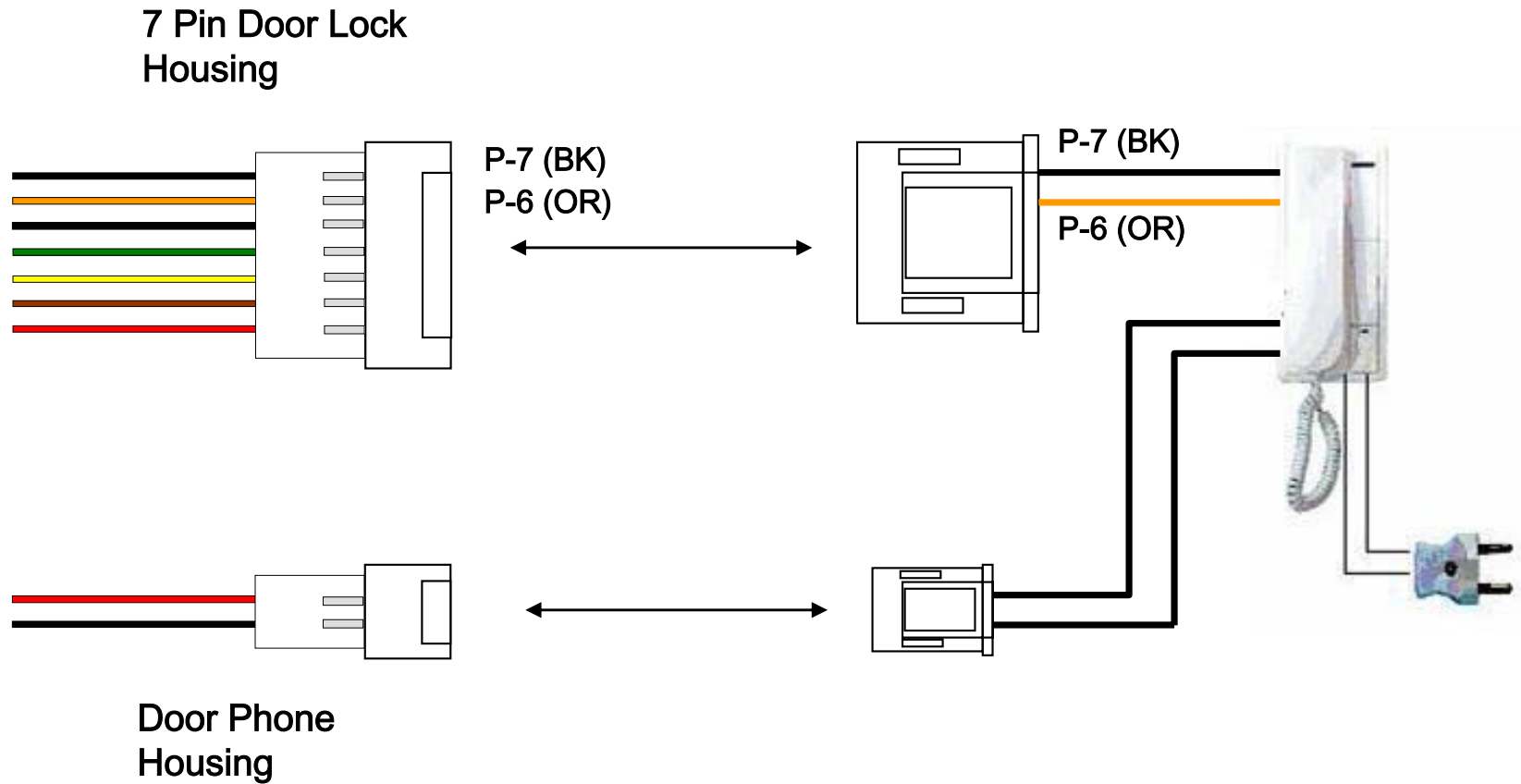
4. Keypad Board Feature



4. Connecting Cable to Terminal Blocks



5. Connecting Door Phone

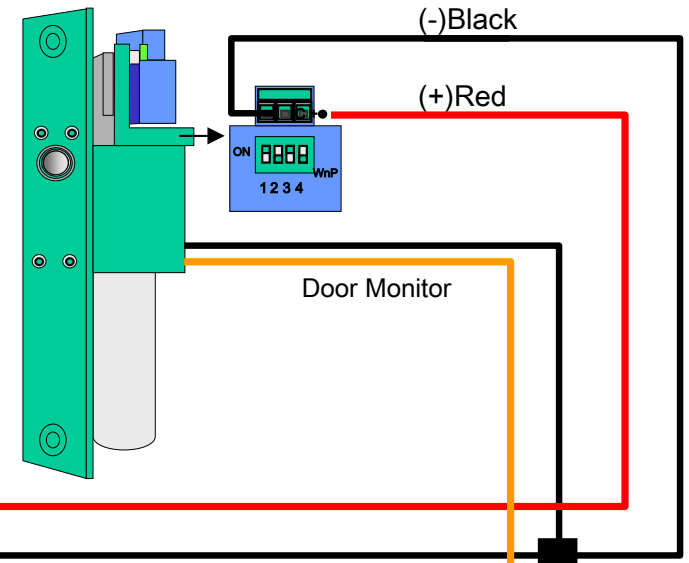
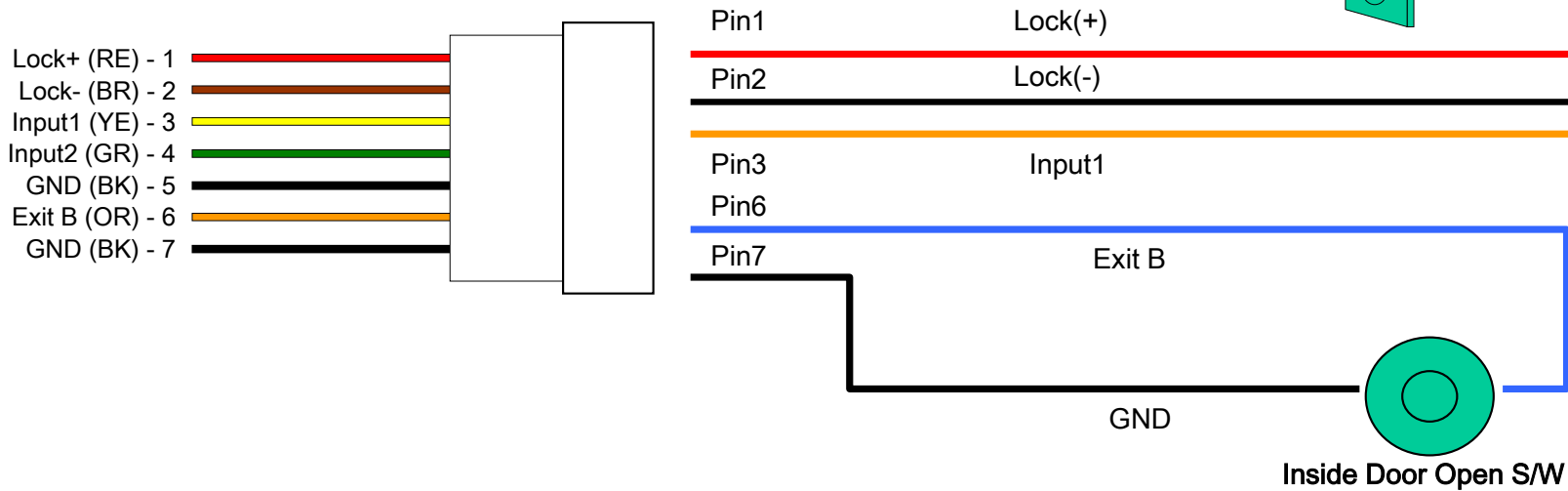
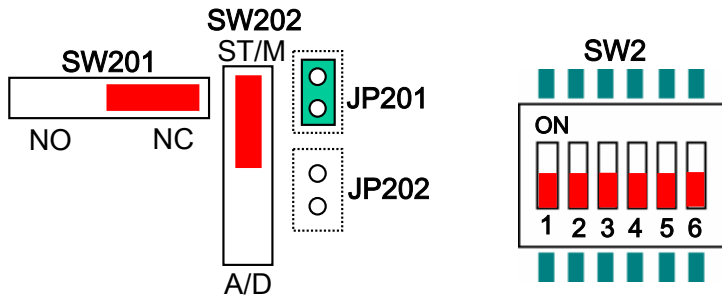


※ The Installation distance is Max 30M between VIRDI-4000 and Door Phone.
If you wanna call the door phone, please use the “Call” button.

6. Connecting Dead-Bolt Type Door Lock(Fail Safe)

6.1. Connect with One System/ One Lock

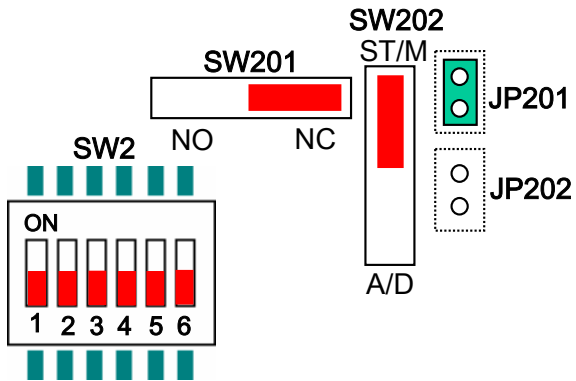
Lock Type Select S/W & Jumper



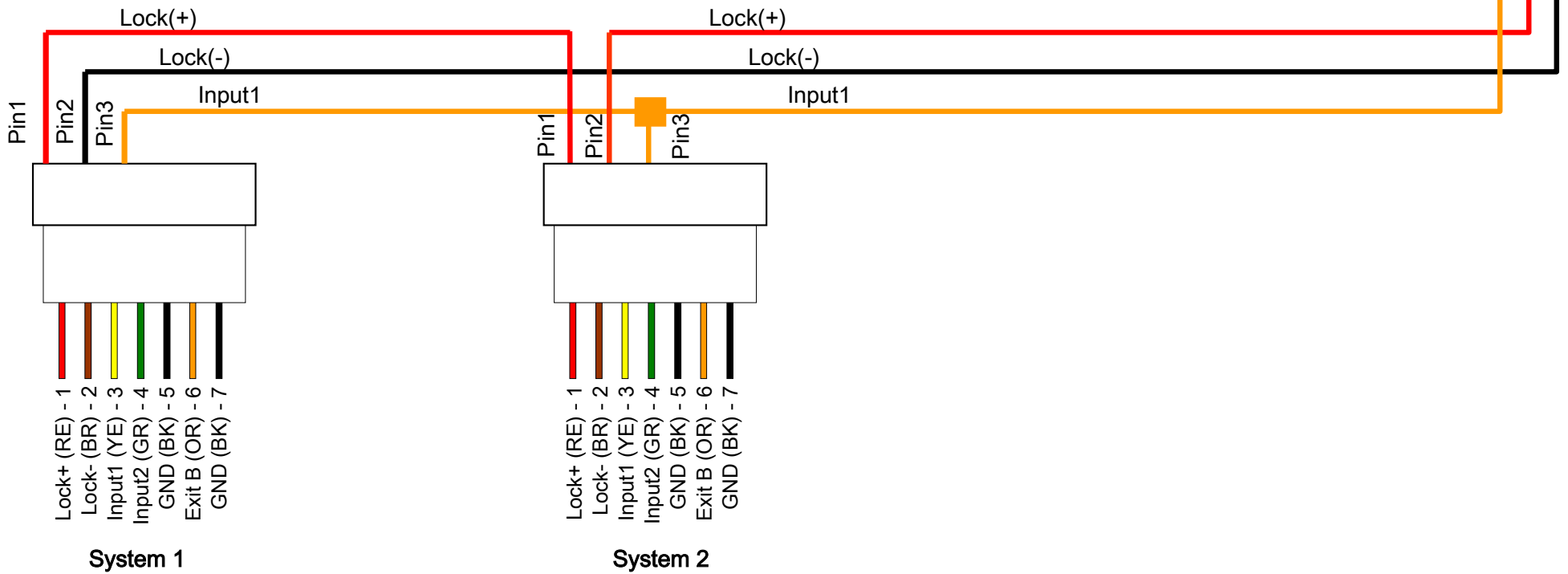
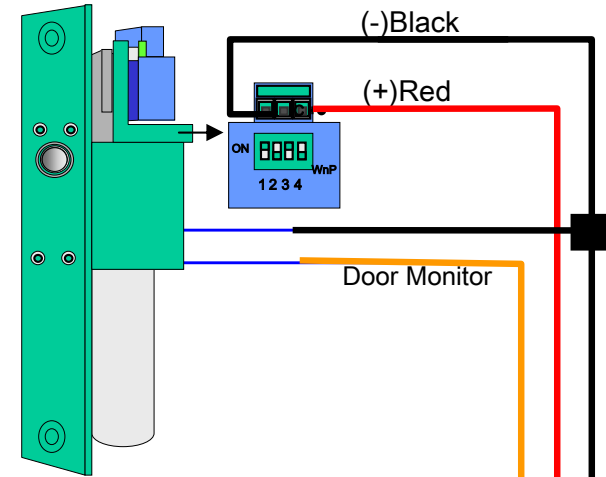
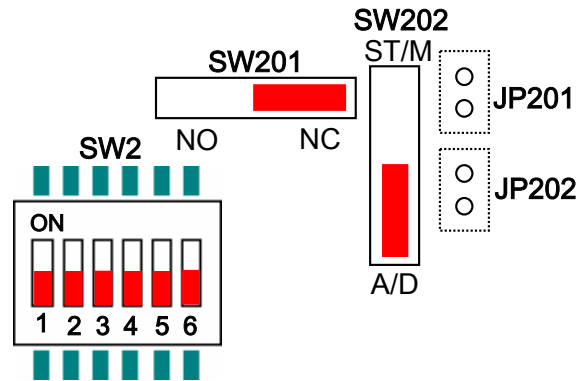
6. Connecting Dead-Bolt Type Door Lock(Fail Safe)

6.2. Connect with Two System/ One Lock

System 1
Lock Type Select S/W & Jumper



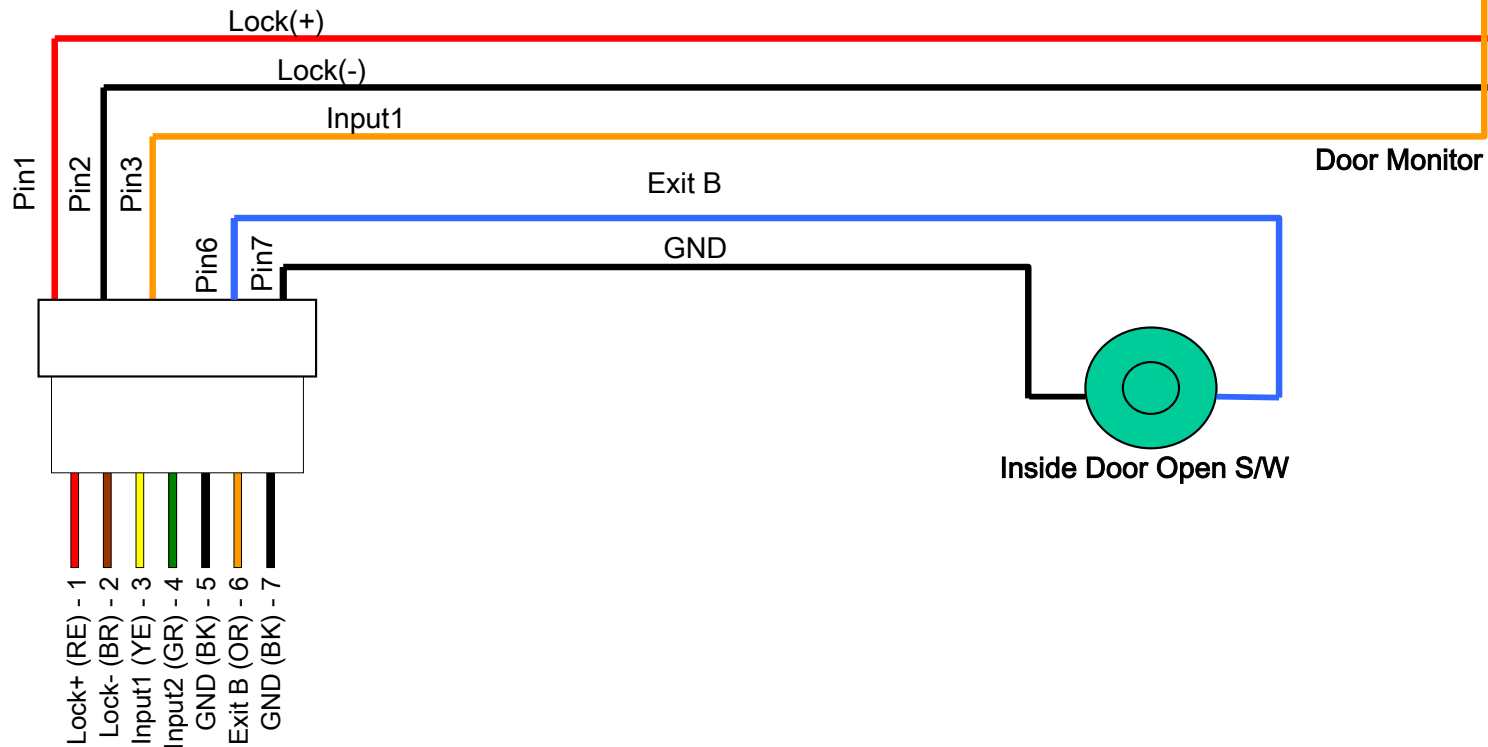
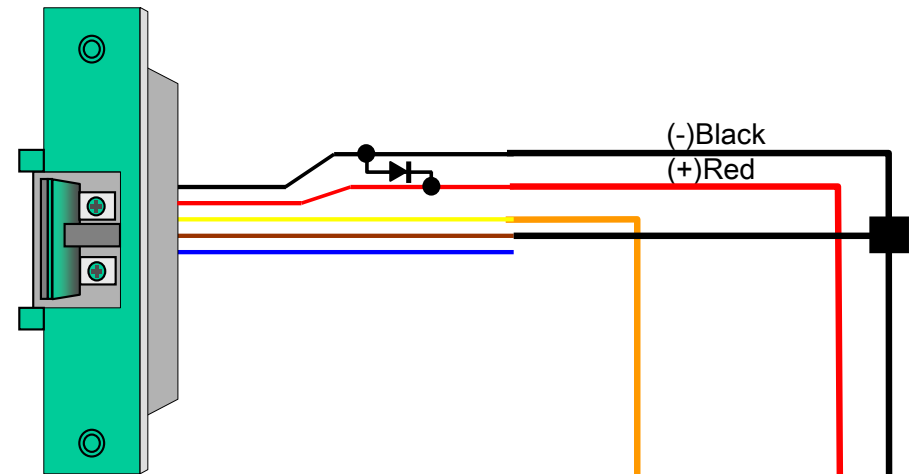
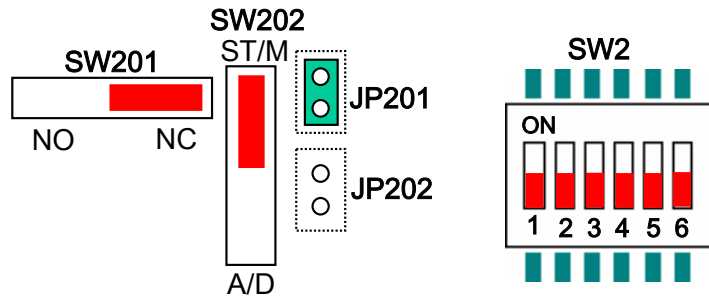
System 2
Lock Type Select S/W & Jumper



7. Connecting Strike Type Door Lock(Fail Safe)

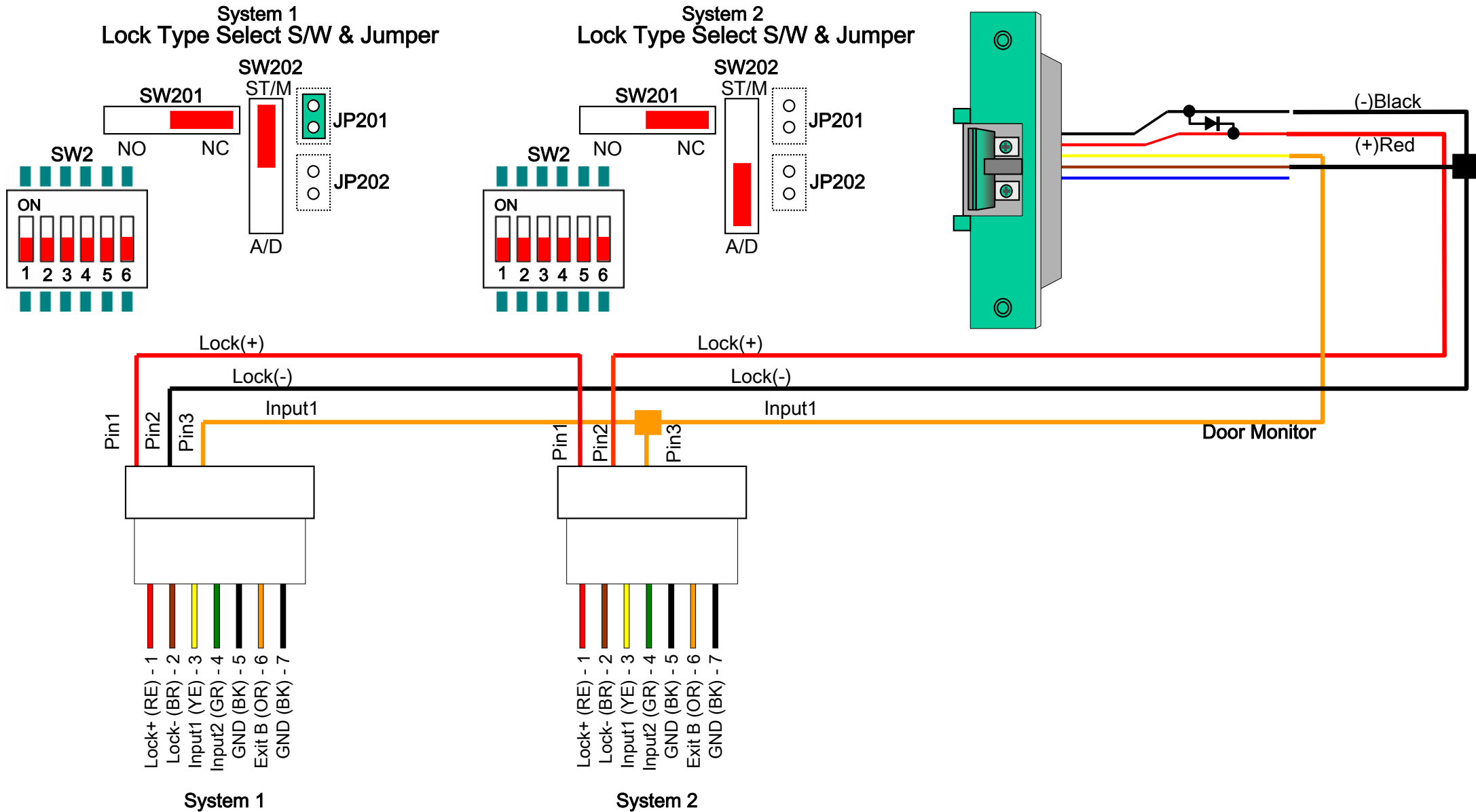
7.1. Connect with One system/ One Lock

Lock Type Select S/W & Jumper



7. Connecting Strike Type Door Lock(Fail Safe)

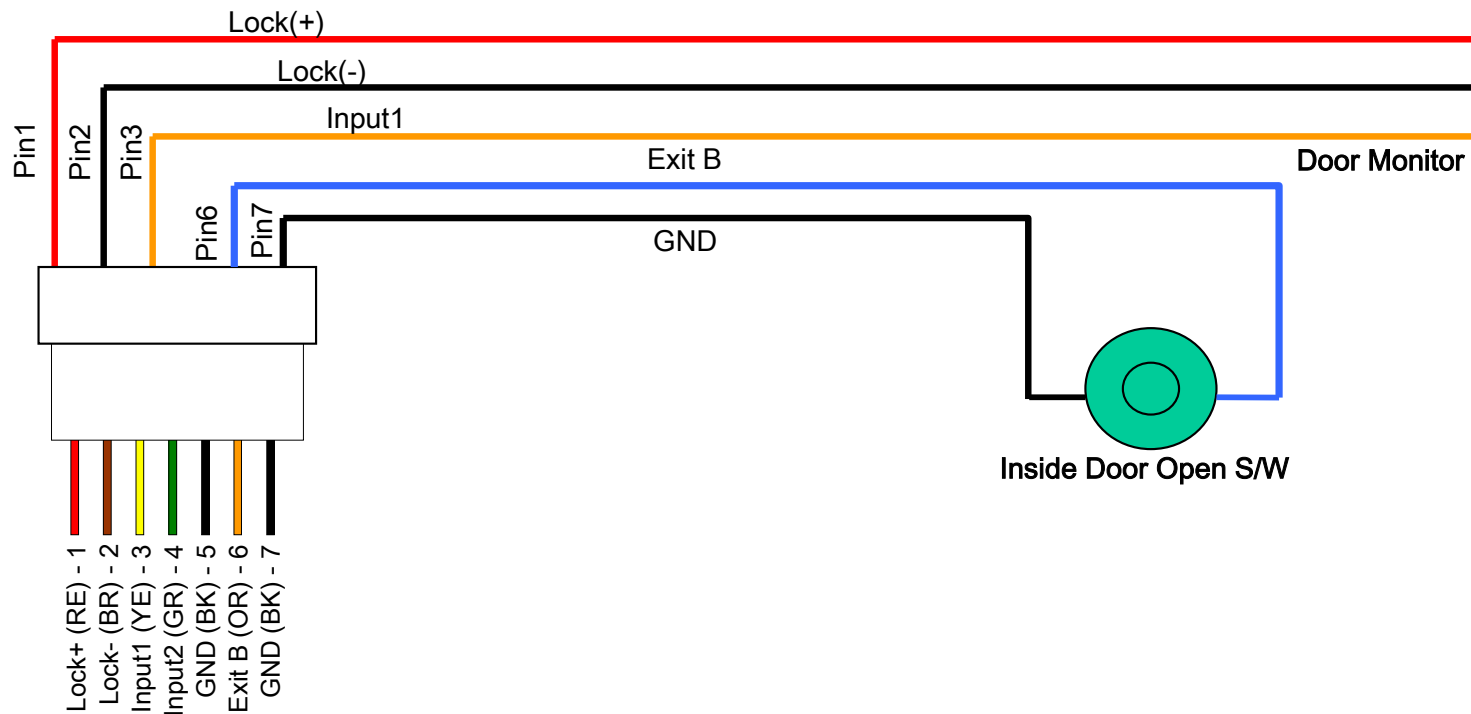
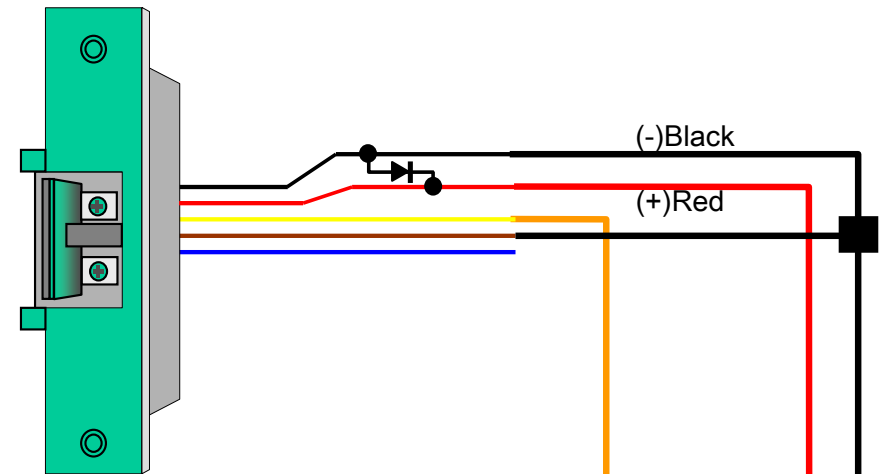
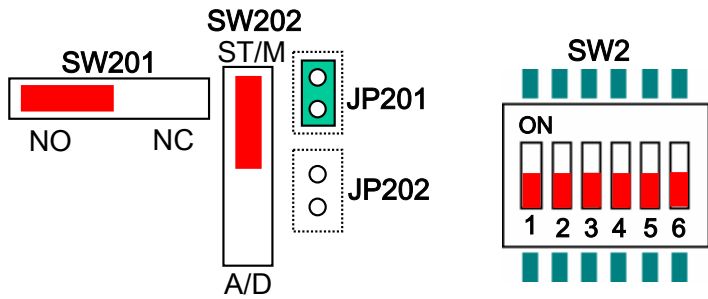
7.2. Connect with Two system/ One Lock



8. Connecting Strike Type Door Lock(Fail Secure)

8.1. Connect with One system/ One Lock

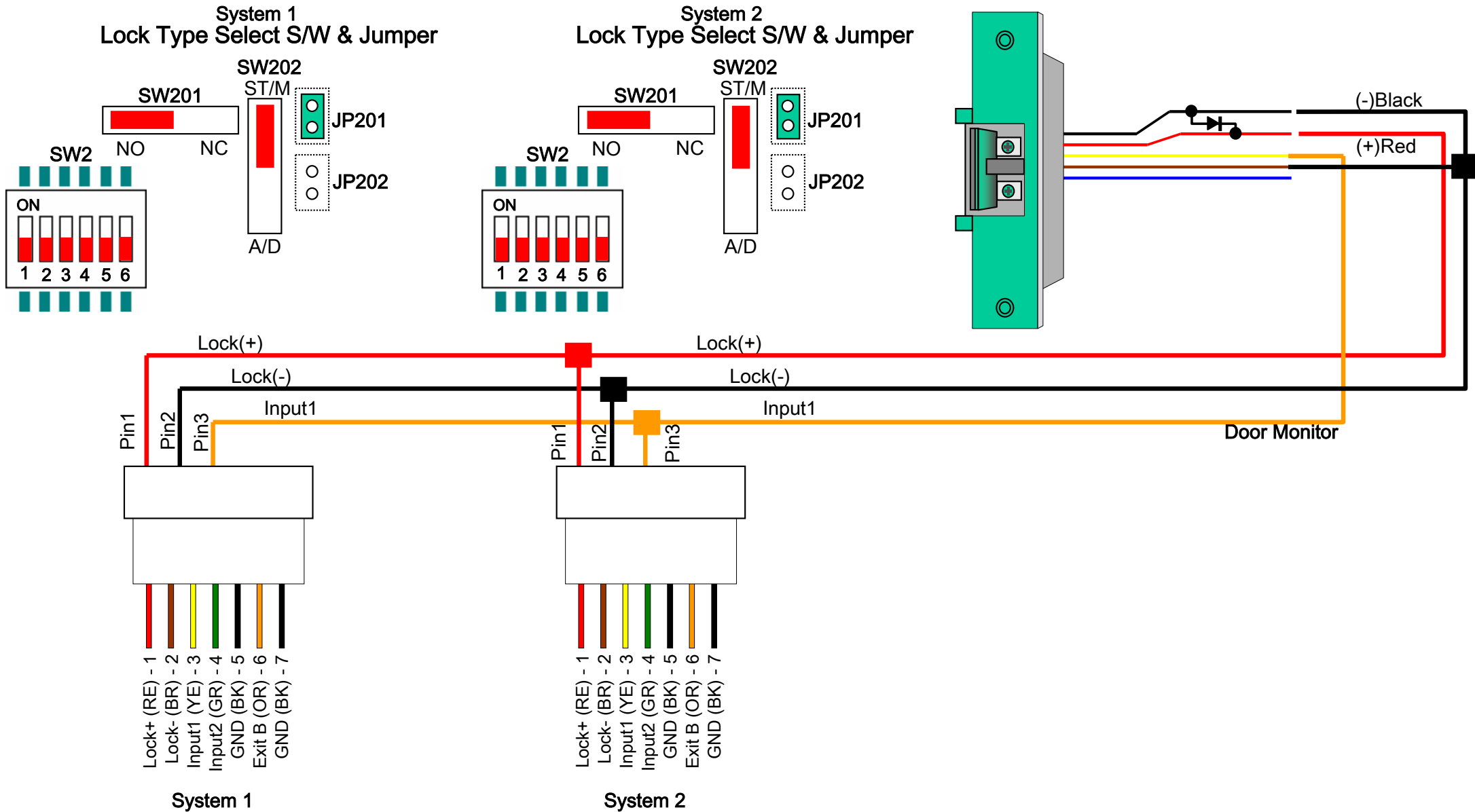
Lock Type Select S/W & Jumper



- Lock+ (RE) - 1
- Lock- (BR) - 2
- Input1 (YE) - 3
- Input2 (GR) - 4
- GND (BK) - 5
- Exit B (OR) - 6
- GND (BK) - 7

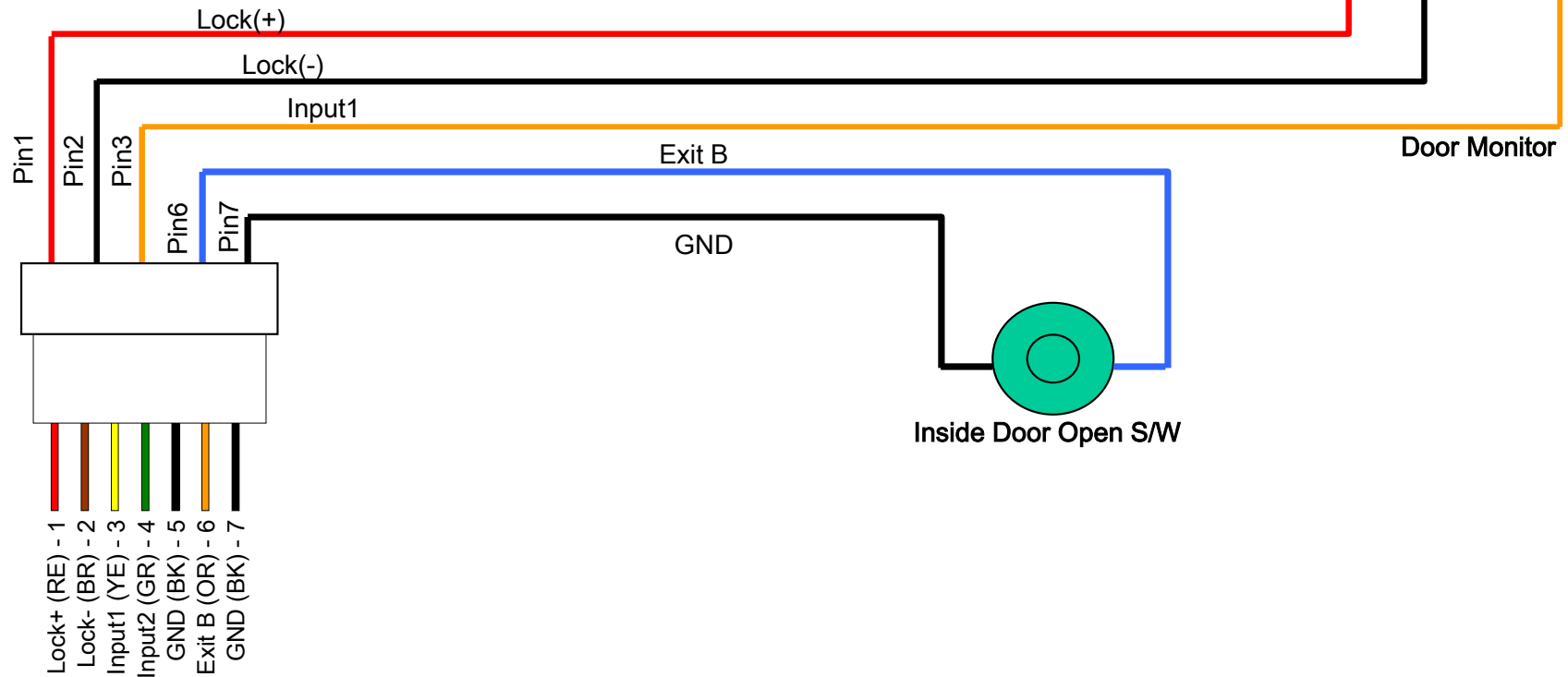
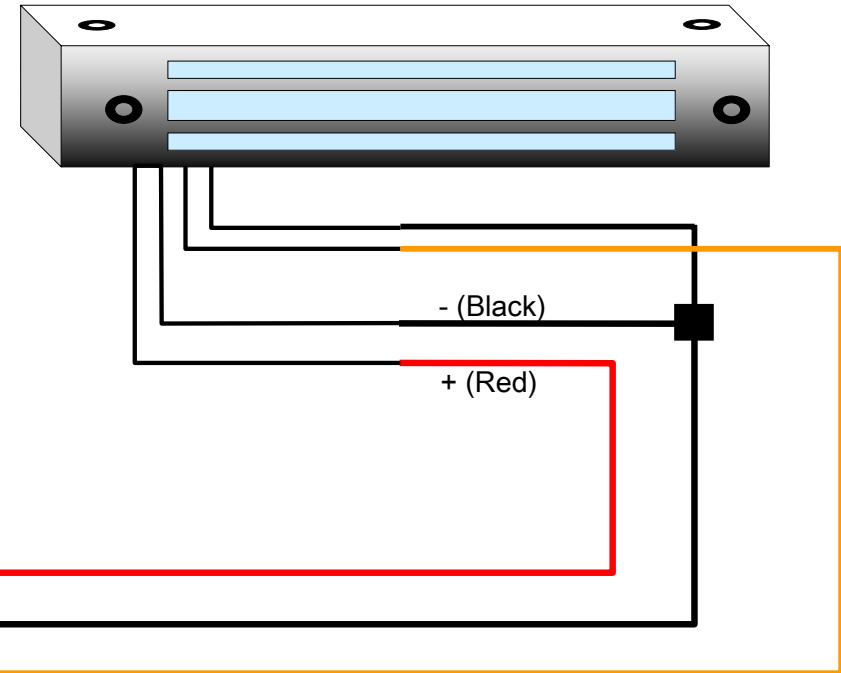
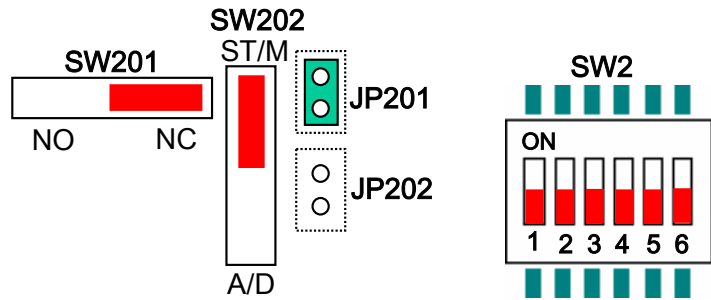
8. Connecting Strike Type Door Lock(Fail Secure)

8.2. Connect with Two system/ One Lock



9. Connecting EM Type Door Lock(Fail Safe)

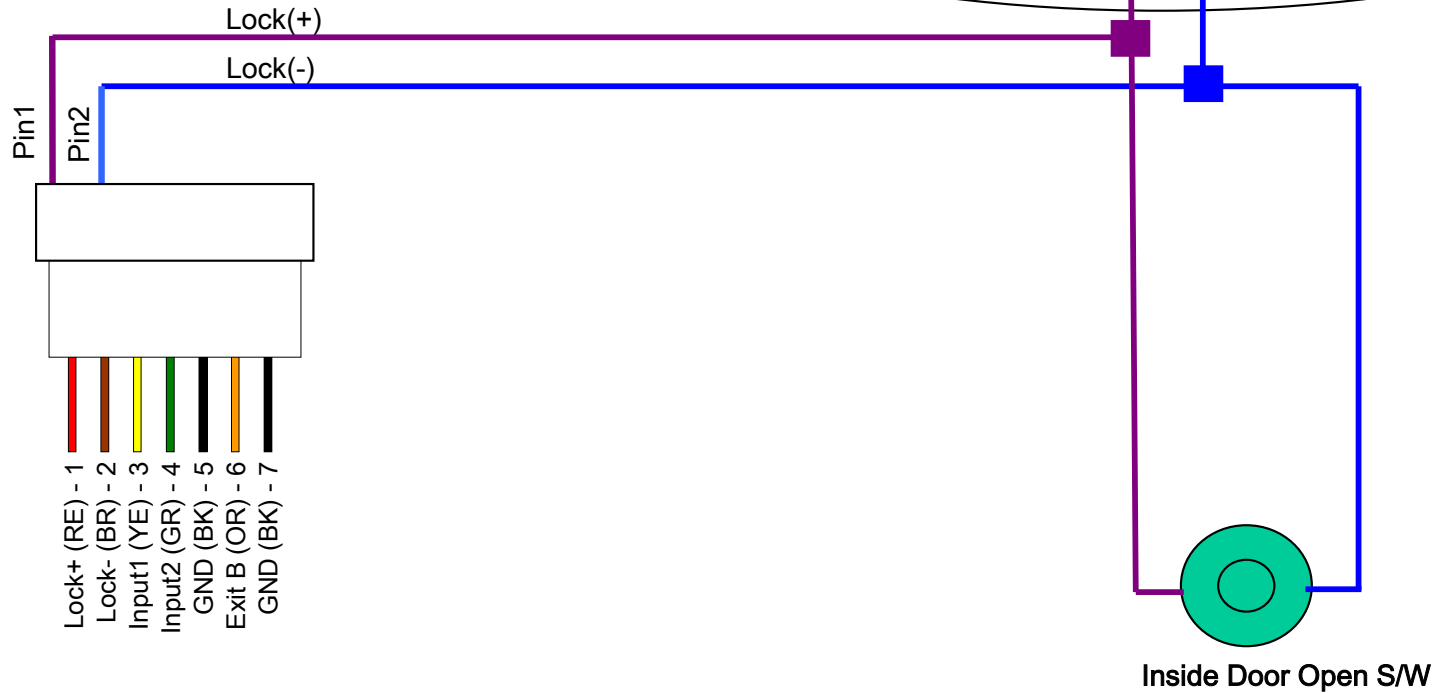
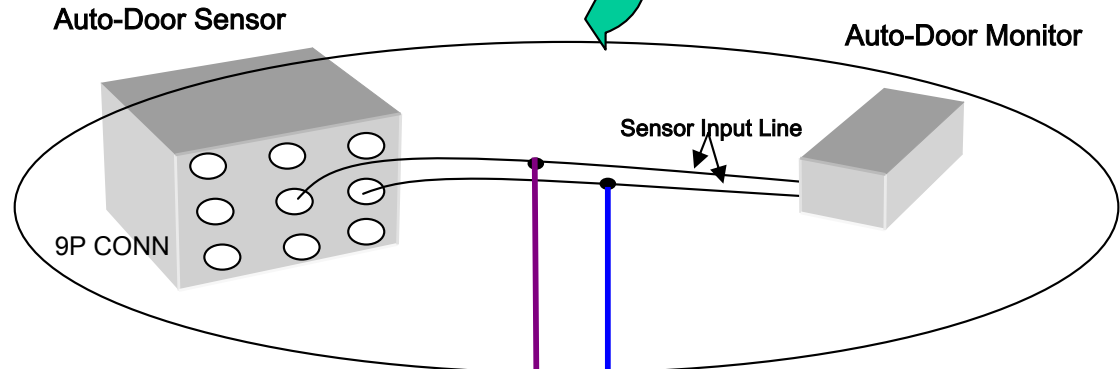
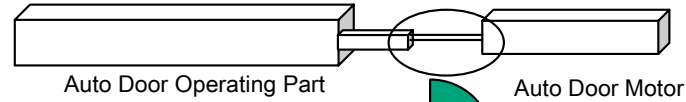
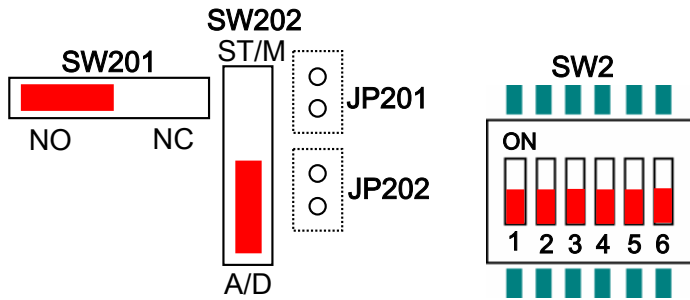
Lock Type Select S/W & Jumper



10. Connecting Auto-Door (Contact Control)

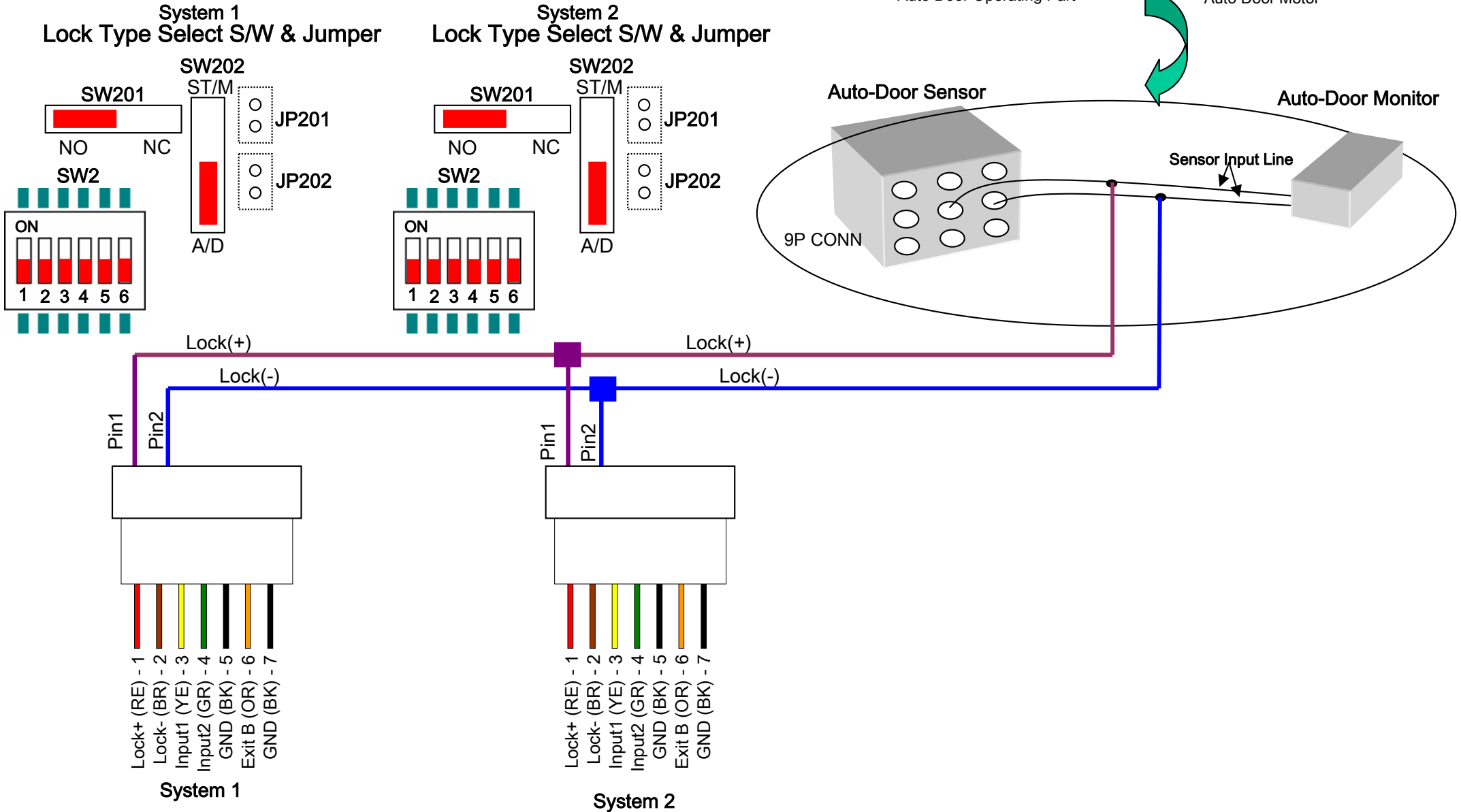
10.1. Connect with One system/ One Door

Lock Type Select S/W & Jumper



10. Connecting Auto-Door (Contact Control)

10.2. Connect with Two system/ One Door



11. Connecting Motor Lock

Lock Type Select S/W & Jumper

