

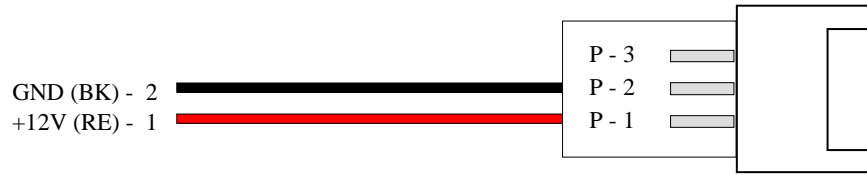
Installation Guide for AC-2100 V1.0

Fingerprint Identification Terminal

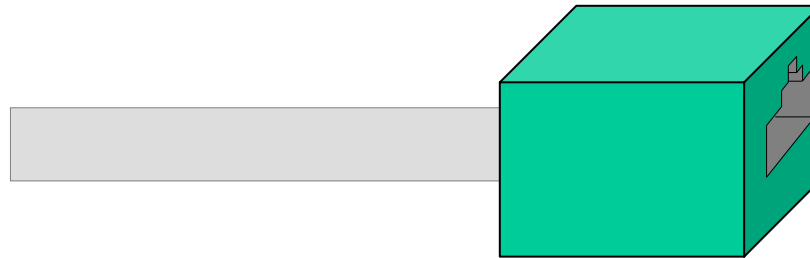


SEP., 16. 2009
R&D Center
Union Community Co., Ltd.

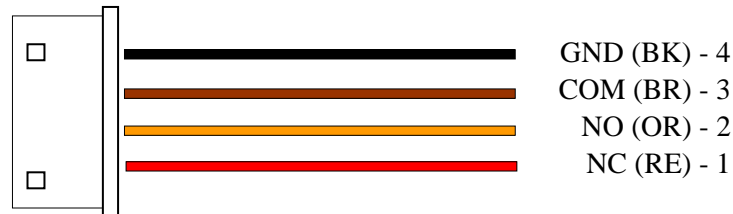
1. The Description of External Cables



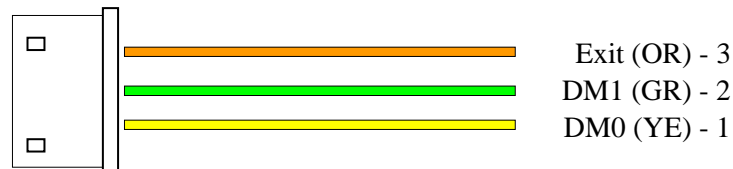
Power Adapter Cable



10Base-T Ethernet Cable (RJ45)

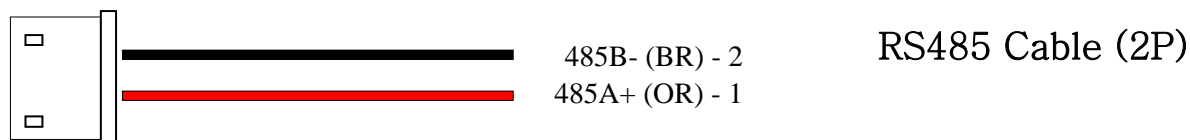
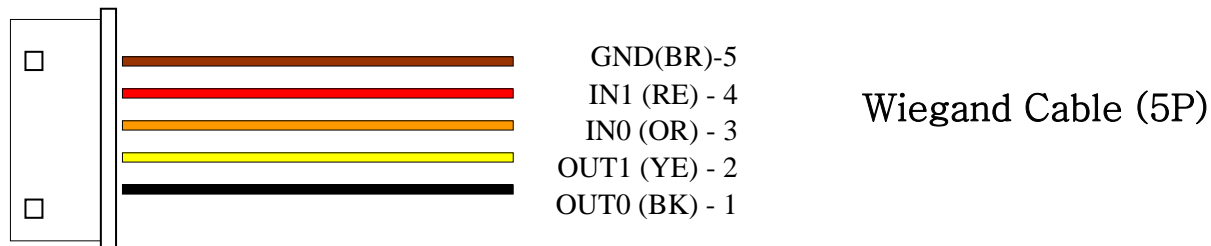


Lock Cable (4P)

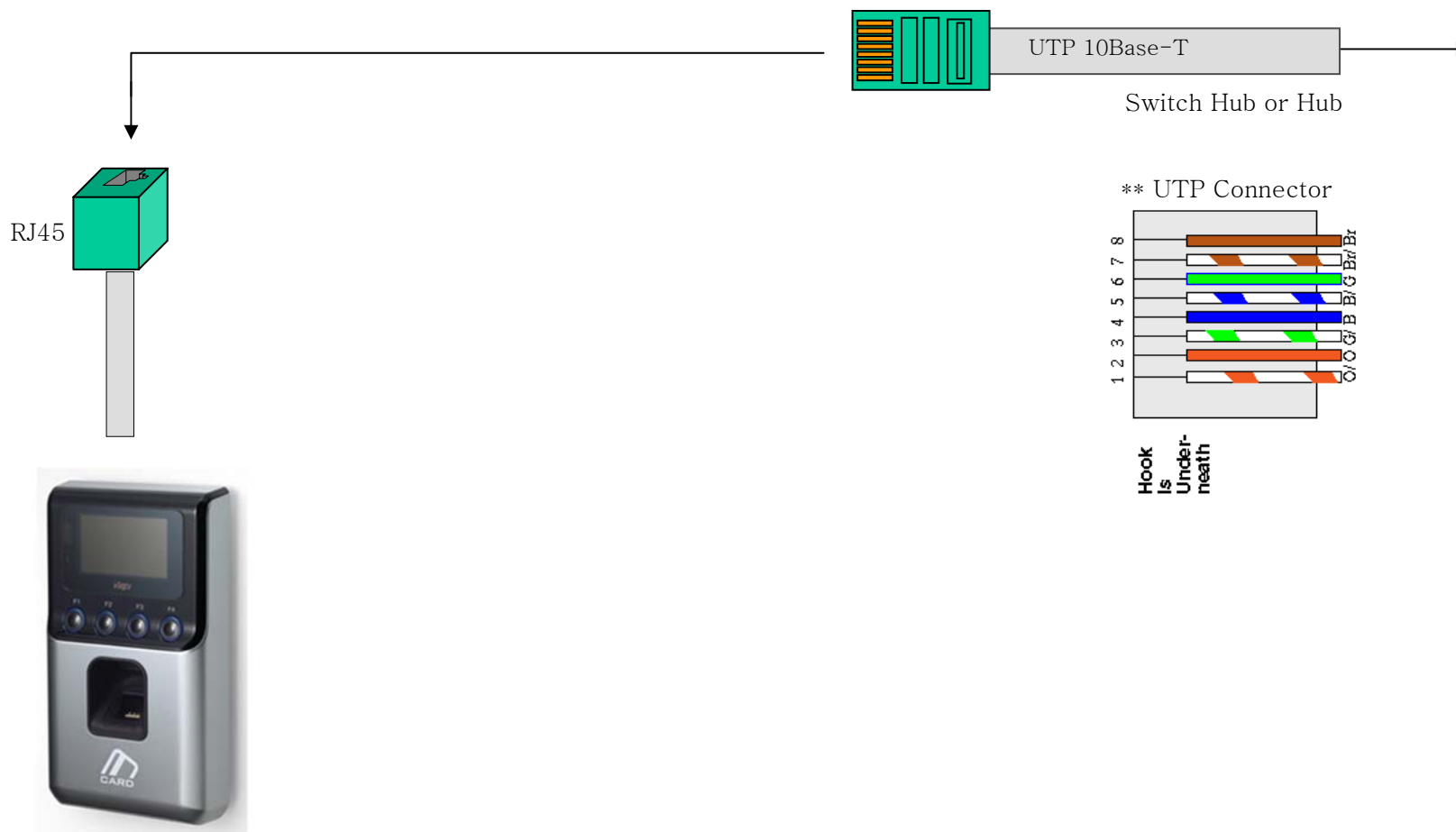


Lock Monitor & Exit Cable (3P)

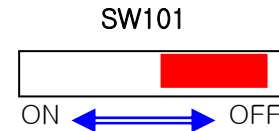
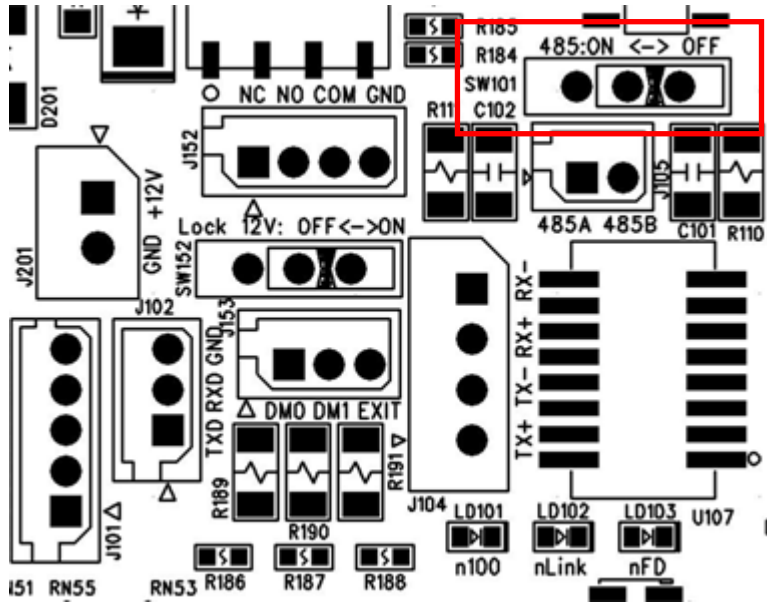
1. The Description of External Cables(Continued)



2. Connecting Ethernet (LAN) Cable



3. Setting the Resistor of RS485 Ended Termination

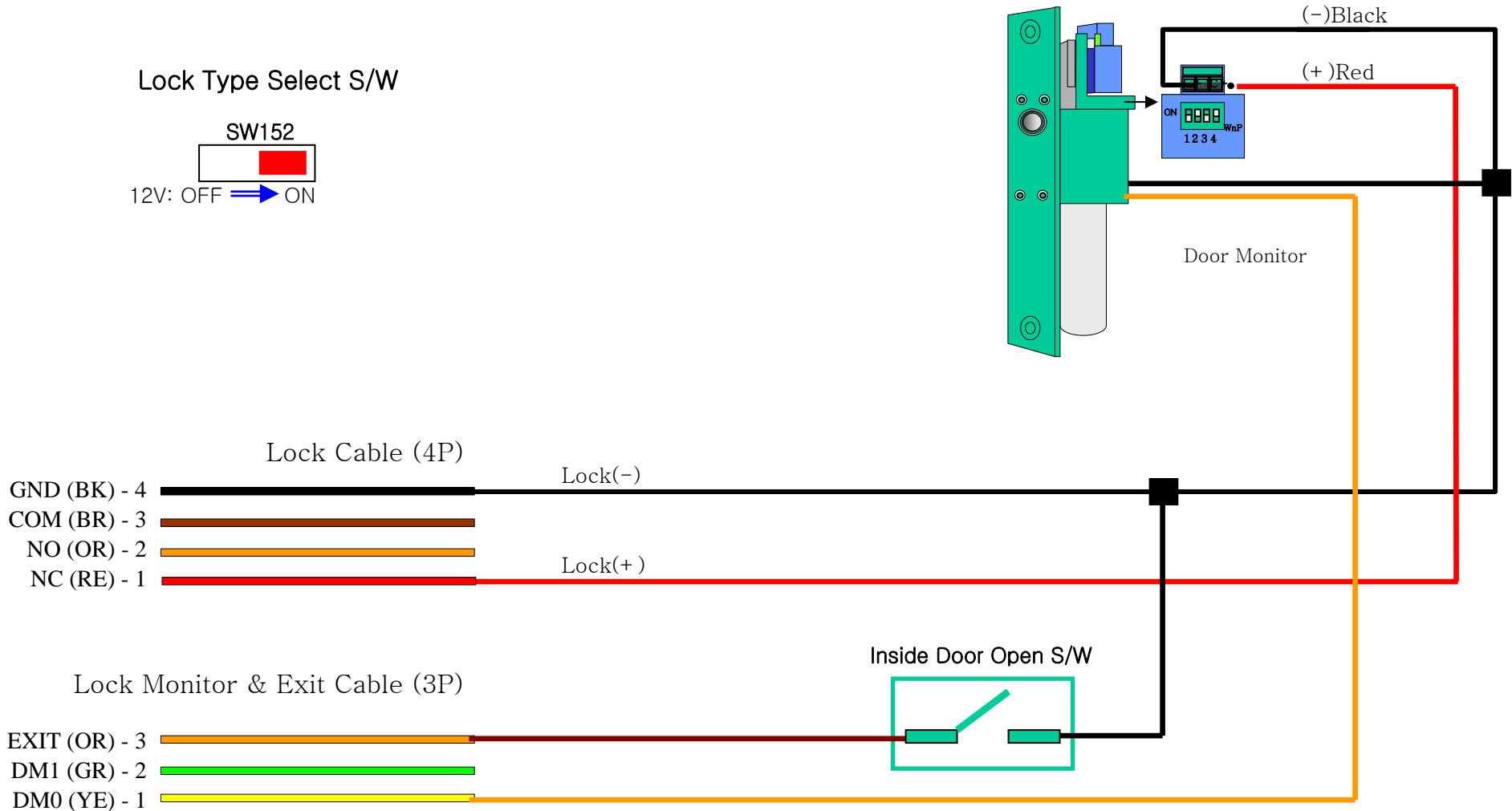
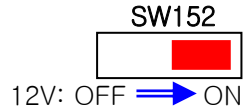


- * Default Setting is off.
- * ON: 120 Ohm Resistor is connected between 485A and 485B

4. Connecting Dead-Bolt Type Door Lock (Fail Safe)

4.1. Connect with One System/ One Lock

Lock Type Select S/W



4. Connecting Dead-Bolt Type Door Lock (Fail Safe)

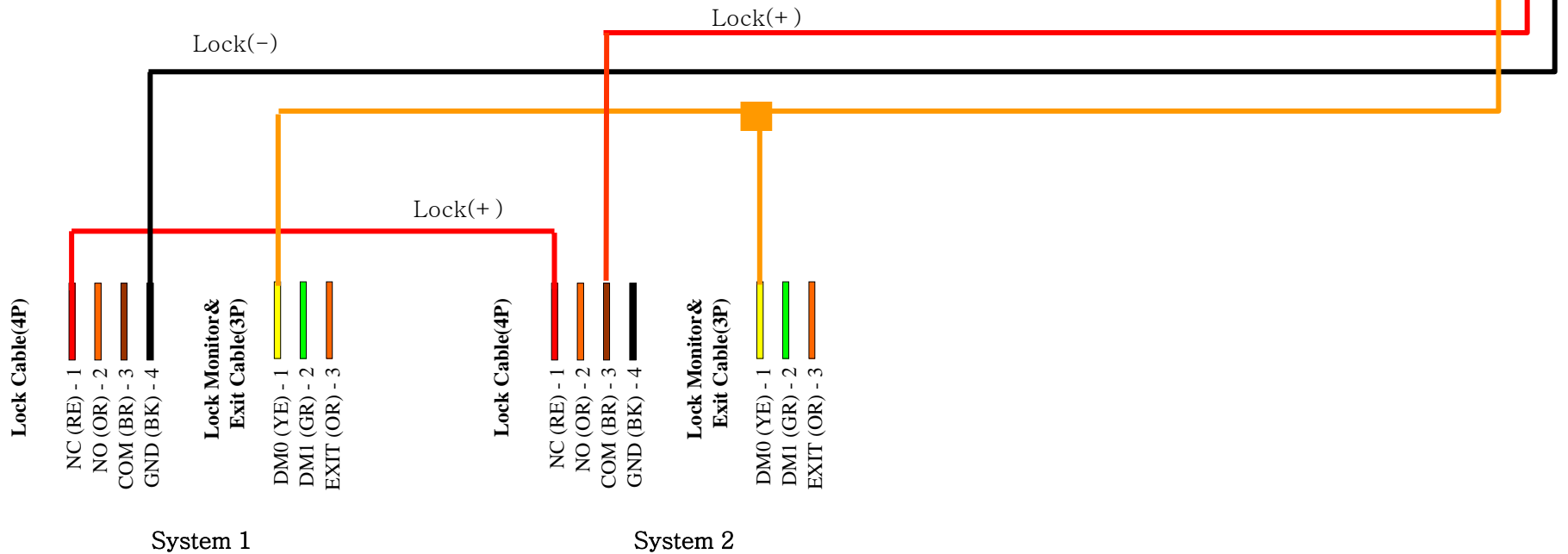
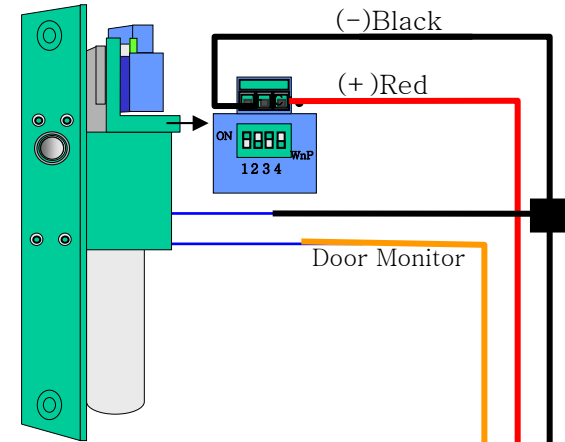
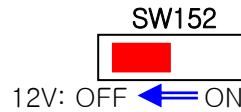
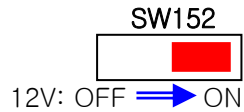
4.2. Connect with Two Systems/ One Lock

System 1

System 2

Lock Type Select S/W

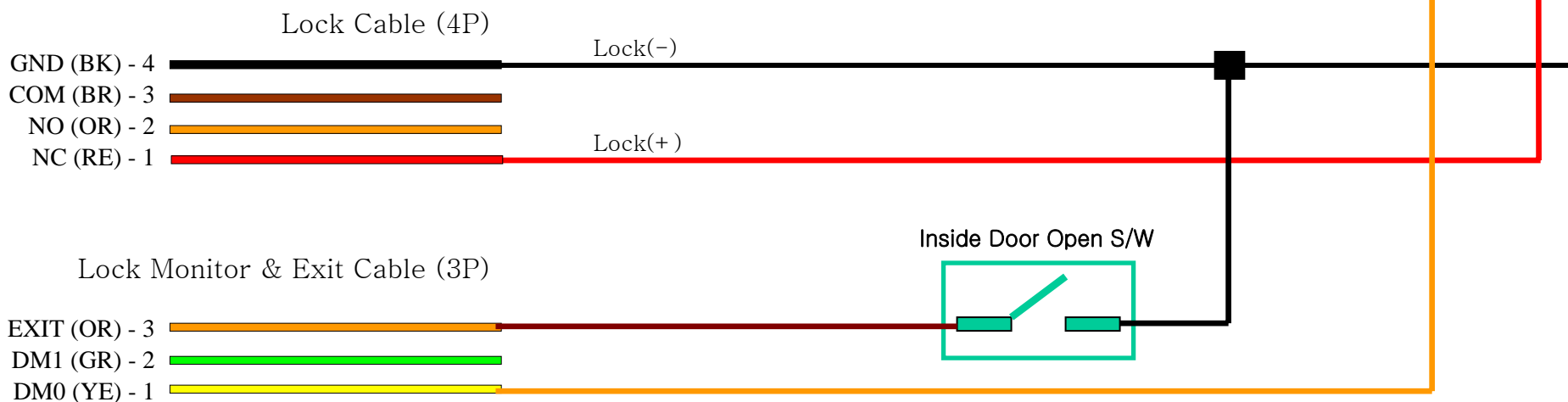
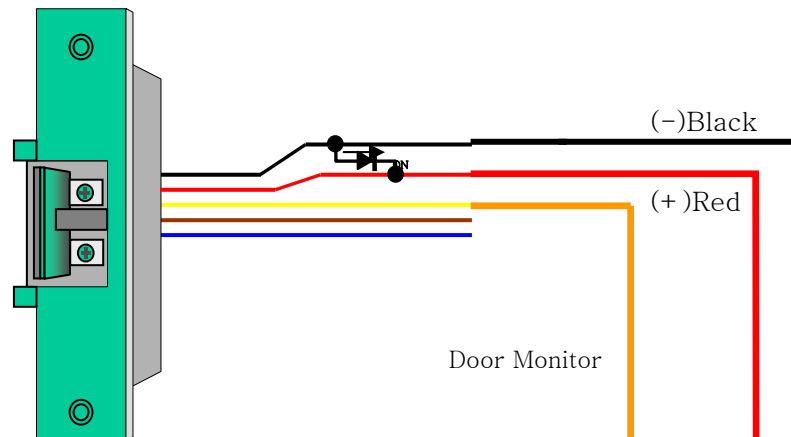
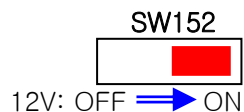
Lock Type Select S/W



5. Connecting Strike Type Door Lock (Fail Safe)

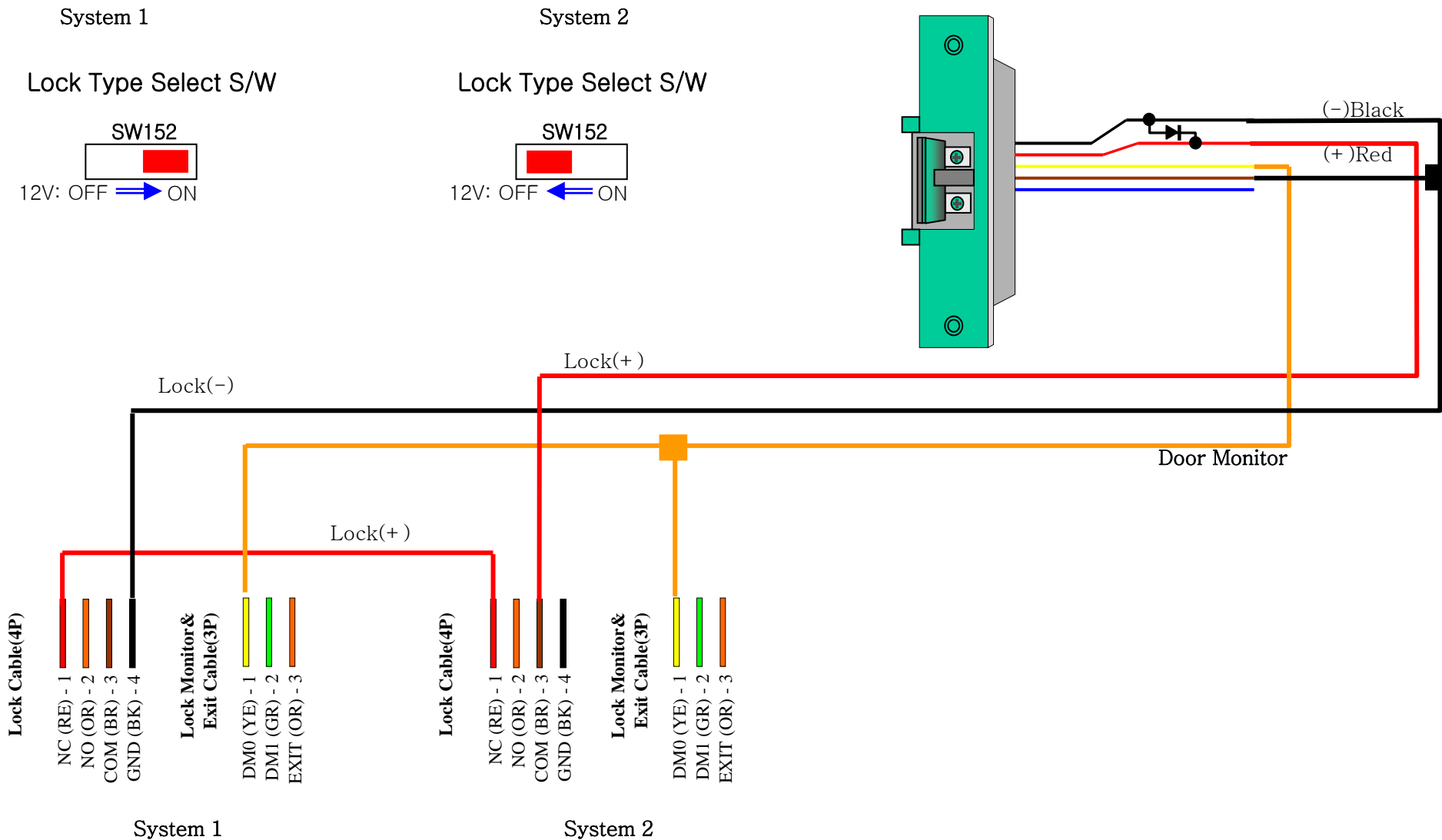
5.1. Connect with One system/ One Lock

Lock Type Select S/W



5. Connecting Strike Type Door Lock (Fail Safe)

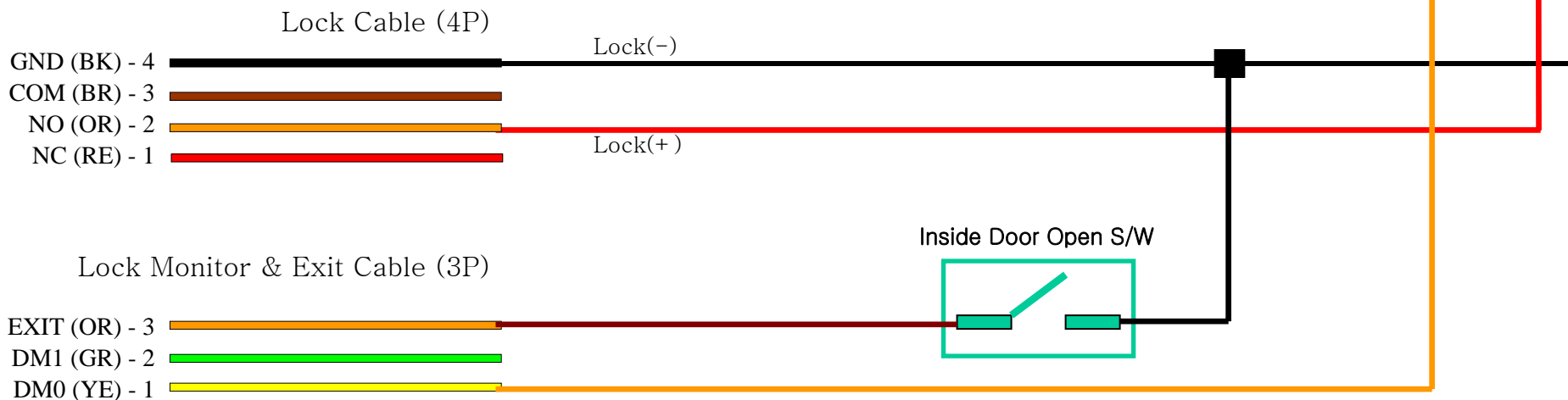
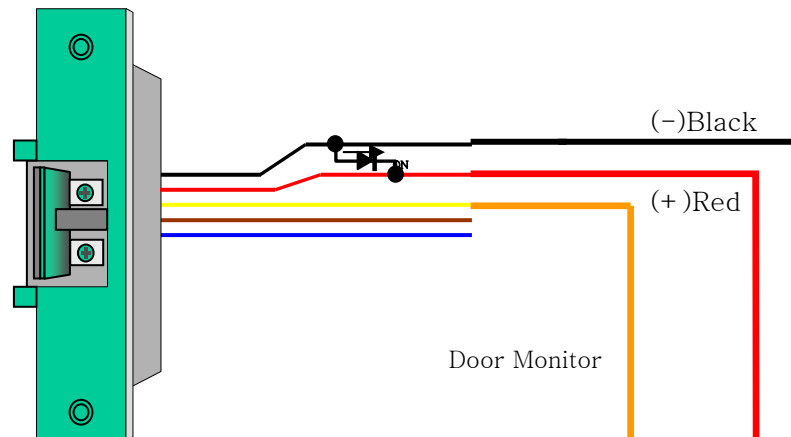
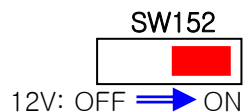
5.2. Connect with Two systems/ One Lock



6. Connecting Strike Type Door Lock (Fail Secure)

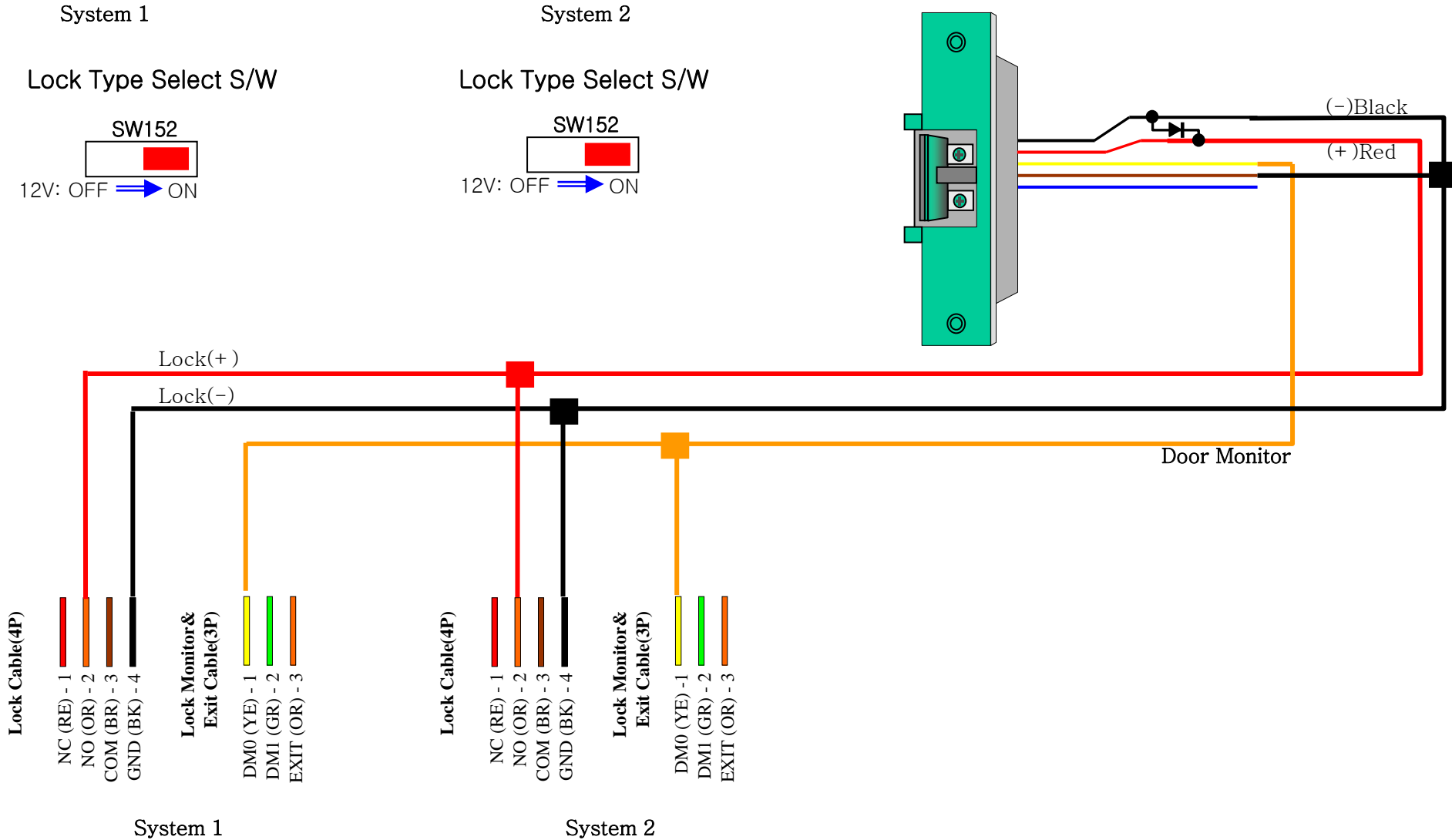
6.1. Connect with One system/ One Lock

Lock Type Select S/W



6. Connecting Strike Type Door Lock (Fail Secure)

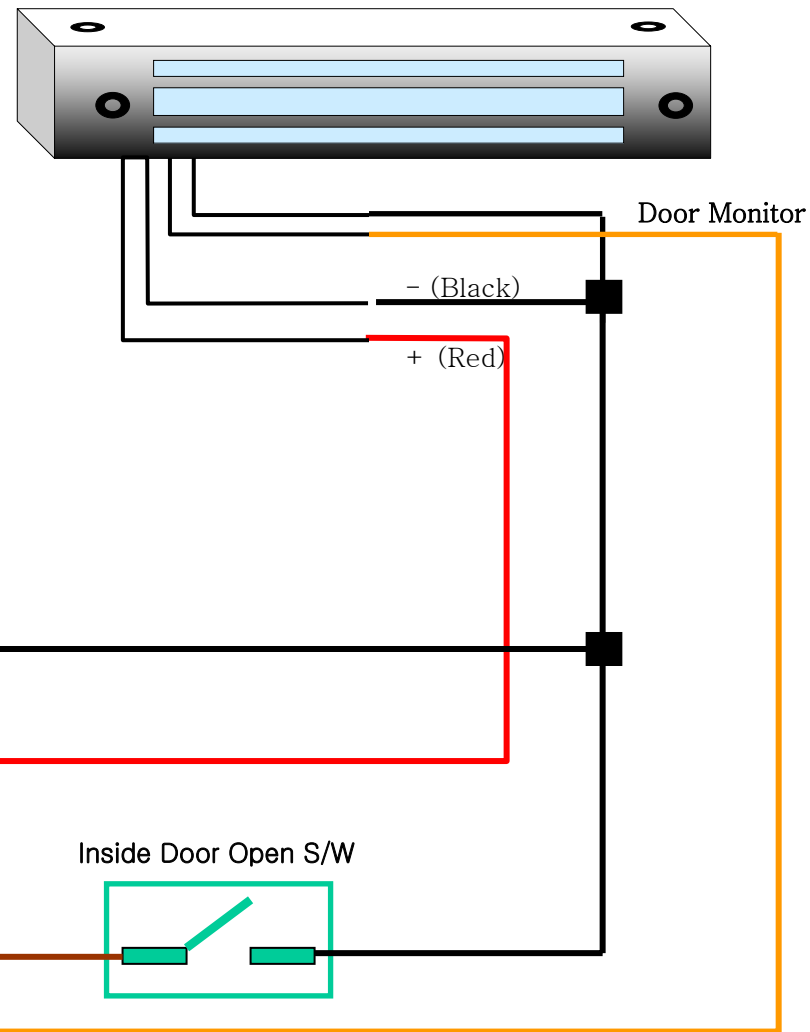
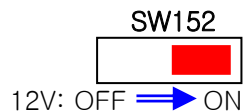
6.2. Connect with Two systems/ One Lock



7. Connecting EM Type Door Lock (Fail Safe)

7.1. Connect with One system/ One Lock

Lock Type Select S/W



Lock Cable (4P)

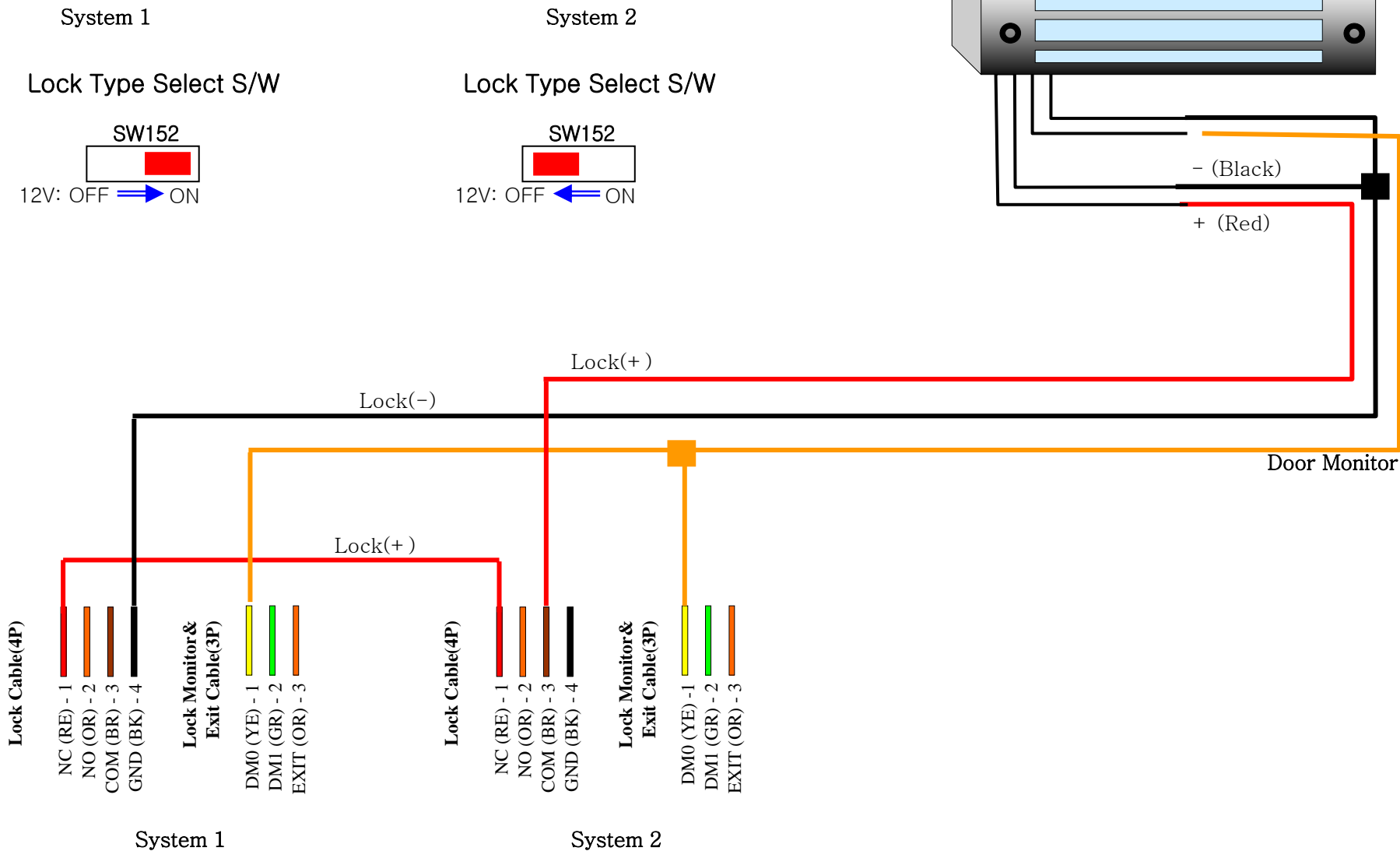
- GND (BK) - 4
- COM (BR) - 3
- NO (OR) - 2
- NC (RE) - 1

Lock Monitor & Exit Cable (3P)

- EXIT (OR) - 3
- DM1 (GR) - 2
- DM0 (YE) - 1

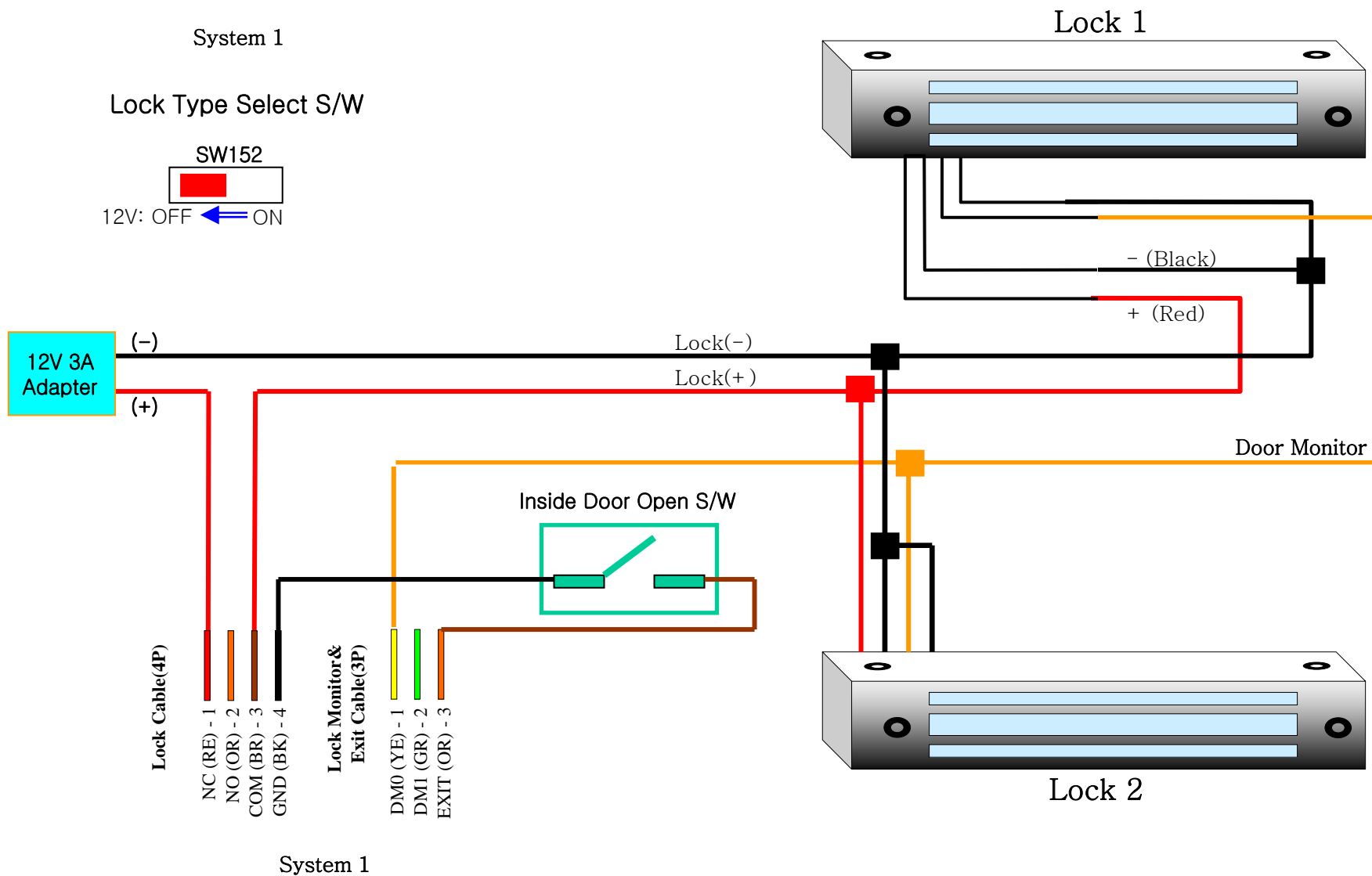
7. Connecting EM Type Door Lock(Fail Safe)

7.2. Connect with Two System/ One Lock



7. Connecting EM Type Door Lock (Fail Safe)

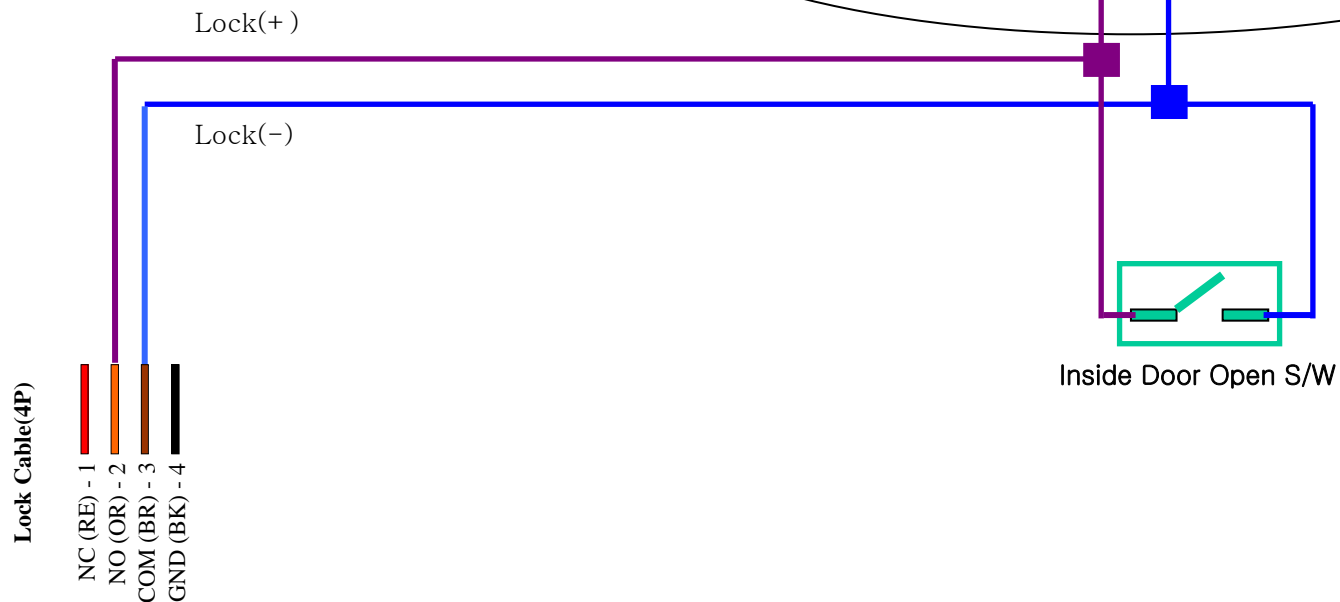
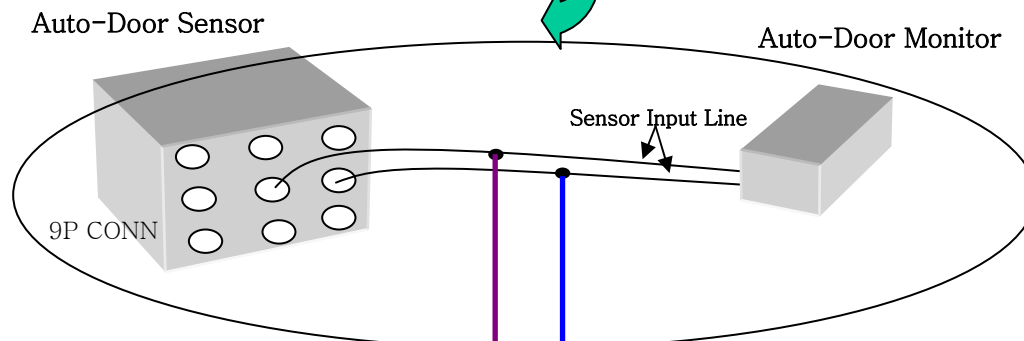
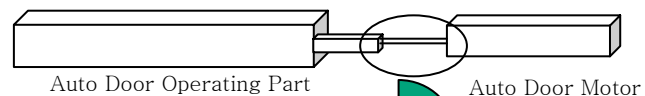
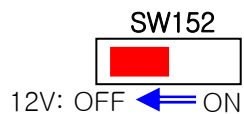
7.3. Connect with One system/ Two Locks ** Use external DC Power adapter



8. Connecting Auto-Door (Contact Control)

8.1. Connect with One system/ One Door

System 1
Lock Type Select S/W



System 1

8. Connecting Auto-Door (Contact Control)

8.2. Connect with Two systems/ One Door

